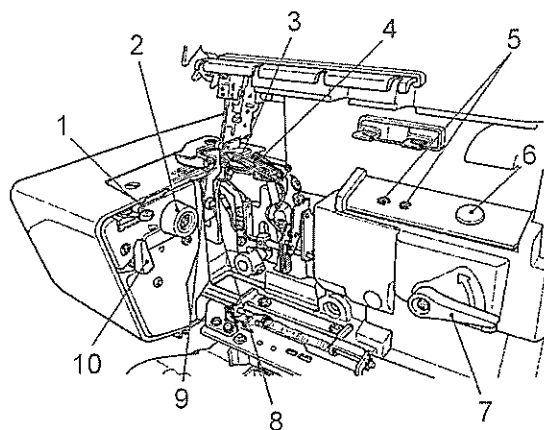


Details of the machine



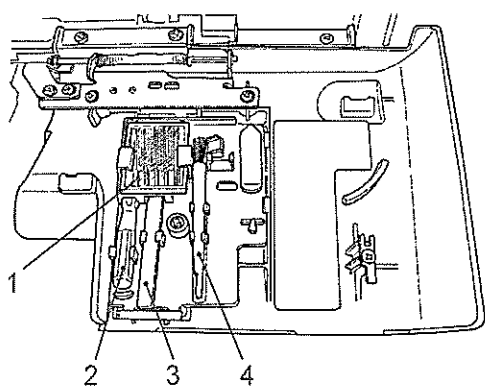
Caution:

Be sure to turn off the power switch before opening the looper cover.



View with looper cover open

1. Selection lever for overlocking or roll hemming
2. Cutting width adjusting dial
3. Upper looper
4. Lower looper
5. Threading hole
6. Air-control pushbutton
7. Threading changeover lever
8. Upper knife fixing screw
9. Lower knife
10. Upper knife changeover knob



Accessories

1. Needle set 130/705H (SCHMETZ)
2. Screwdriver
3. Tweezers
4. Brush/needle inserter
5. Electronic foot control
6. Nets
7. Spool caps
8. Looper threader
9. Accessory bag
10. Dust cover
11. Waste collector
12. Oiler

