

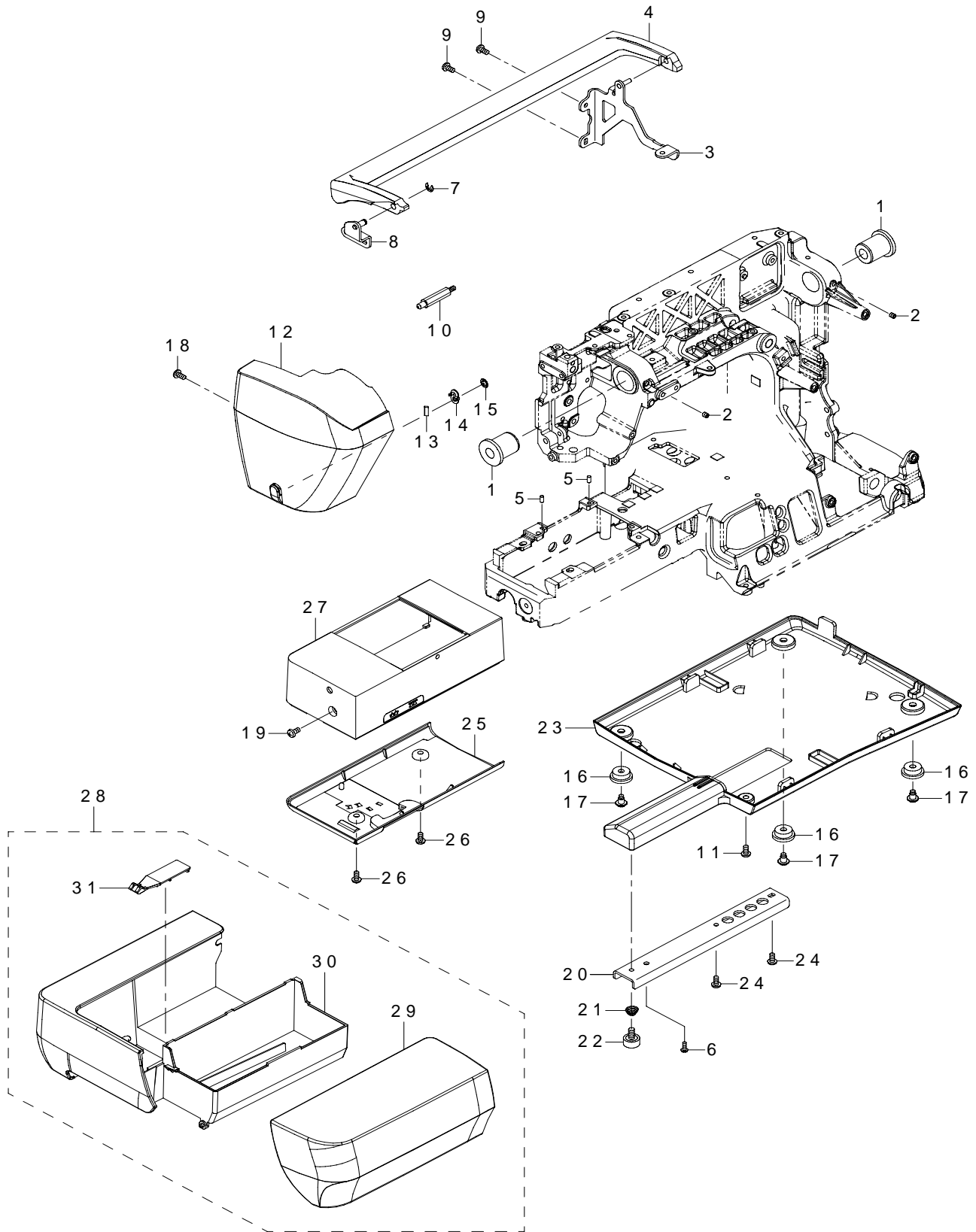
COMPUTER SEWING MACHINE
HZL-G Series

PARTS LIST

CONTENTS

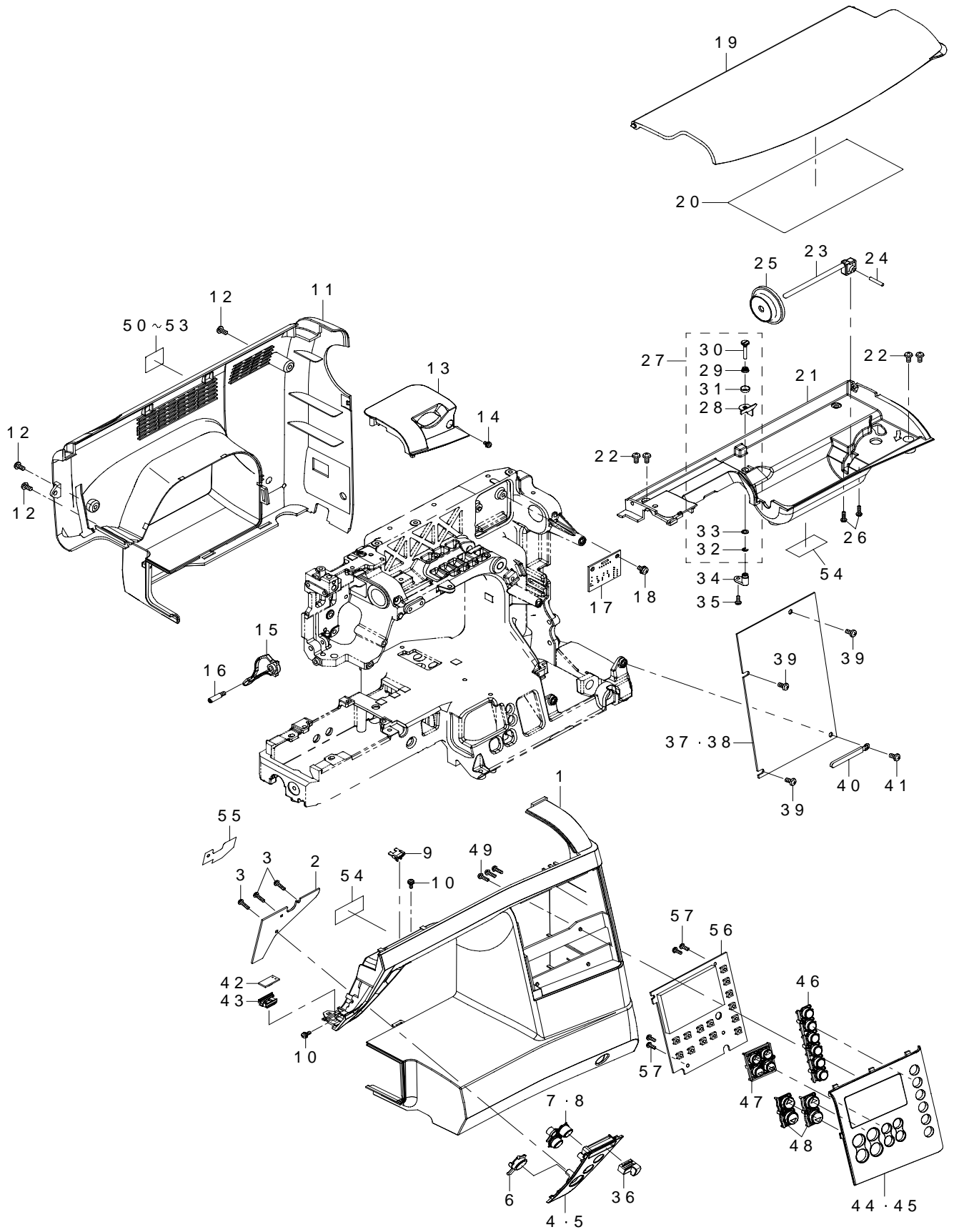
1. FRAME MISCELLANEOUS COVER COMPONENTS (1).....	1
2. FRAME MISCELLANEOUS COVER COMPONENTS (2).....	3
3. THROAT PLATE COMPONENTS.....	5
4. UPPER SHAFT & TAKE UP COMPONENTS.....	7
5. NEEDLE BAR & NEEDLE THREADER COMPONENTS.....	9
6. PRESSER MECHANISM & NEEDLE THROWING COMPONENTS.....	11
7. FEED MECHANISM COMPONENTS.....	13
8. LOWER SHAFT & HOOK COMPONENTS.....	15
9. THREAD TRIMMER COMPONENTS (FOR G210).....	17
10. THREAD TENSION COMPONENTS.....	19
11. BOBBIN WINDER COMPONENTS.....	21
12. POWER SUPPLY & MAIN MOTOR COMPONENTS.....	23
13. ACCESSORIE PARTS COMPONENTS.....	25
14. PACKING MATERIAL COMPONENTS.....	27
15. OPTIONAL ACCESSORY PARTS COMPONENTS.....	29
NUMERICAL INDEX OF PARTS.....	30

1. FRAME MISCELLANEOUS COVER COMPONENTS (1)



REF.NO	NOTE	PART NO	DESCRIPTION	Qty
1		400-53485	UPPER SHAFT BUSHING	2
2		SM-8040412-TP	SET SCREW M4 L=4	2
3		401-07895	HANDLE BRACKET ASSY	1
4		400-59249	HANDLE	1
5		PH-0300062-C0	PIN	2
6		ST-5030851-SN	SCREW M5X8	1
7		RE-0400000-K0	E-RING 4	1
8		400-62500	HANDLE BRACKET L ASSY	1
9		SM-5040855-SN	SCREW	2
10		401-07898	FACE COVER GUIDE SHAFT	1
11		SM-5040855-SN	SCREW	1
12		401-07428	FACE COVER	1
13		A3711-010-000-A	TOP THREADING CUTTER	1
14		400-72395	CUTTER HOLDER	1
15		A3205-555-A00	LOCKNUT	1
16		400-57990	RUBBER WASHER	3
17		400-57922	RUBBER WASHER SCREW	3
18		SM-5040855-SN	SCREW	1
19		SM-5040855-SN	SCREW	1
20		401-07899	BED REINFORCING PLATE	1
21		A1159-770-000	HEIGHT ADJUSTING SPRING	1
22		400-57991	HEIGHT ADJUSTING RUBBER	1
23		401-07435	BED COVER DOMESTIC	1
24		SM-5040855-SN	SCREW	2
25		400-53685	FREE ARM LOWER COVER	1
26		SM-5040855-SN	SCREW	2
27		400-53686	FREE ARM UPPER COVER	1
28		401-07566	ASSY AUXILIARY BED	1
29		401-07567	AUXILIARY BED COVER	(1)
30		400-53683	AUXILIARY BED	(1)
31		400-64571	AUXILIARY BED CLICK	(1)

2. FRAME MISCELLANEOUS COVER COMPONENTS (2)

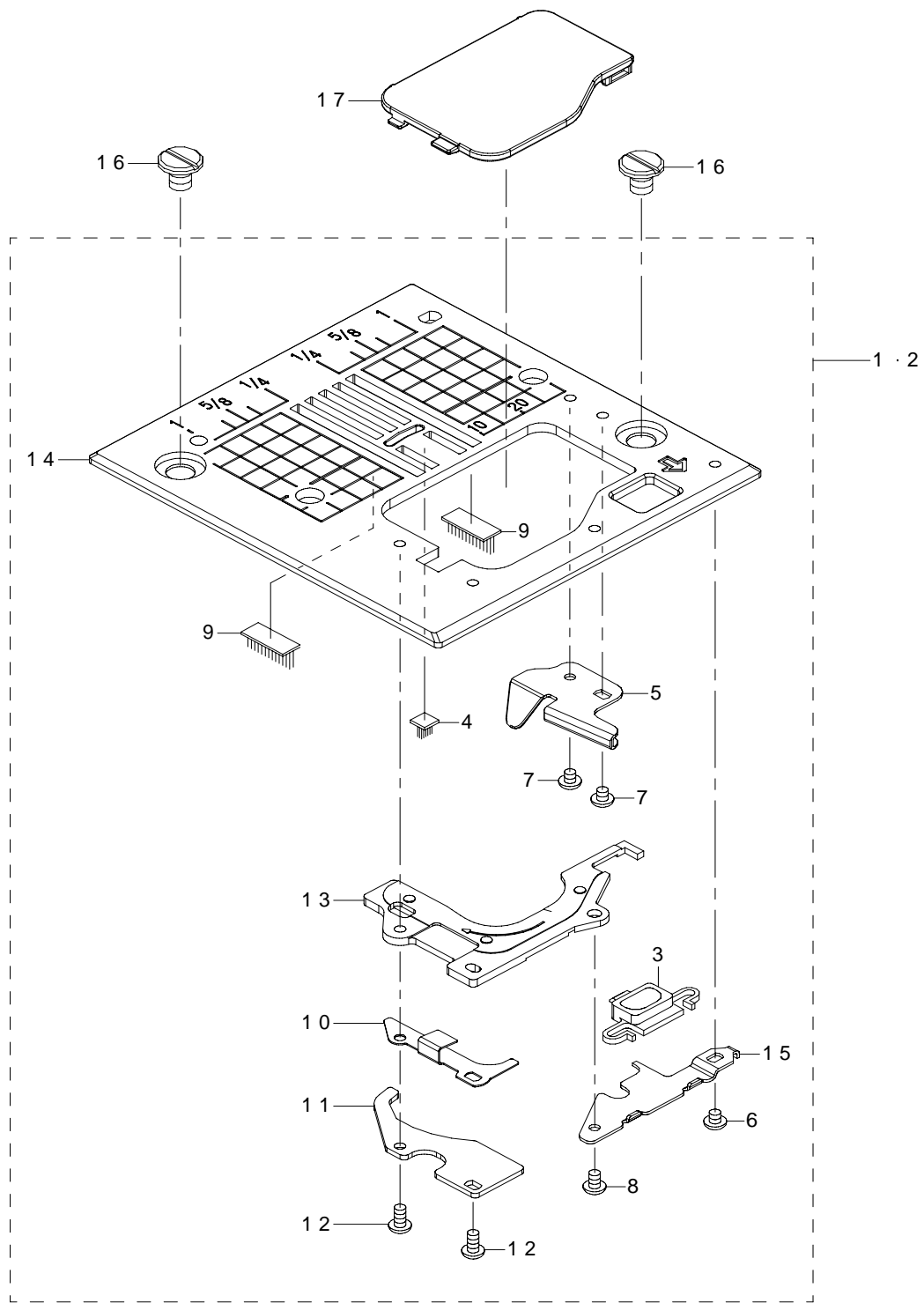


REF.NO	NOTE	PART NO	DESCRIPTION	Qty
1		401-07431	FRONT PANEL	1
2		401-05670	ASSY SW/VR CIRCUIT BOARD	1
3		ST-5031251-SS	SCREW	3
4	#05	401-07458	OPERATION PANEL G110	1
5	#06	401-07455	OPERATION PANEL G210	1
6		401-07585	SS BUTTON	1
7	#08	401-07598	REVERSE TC BUTTON A	1
8	#07	401-07599	REVERSE TC BUTTON B	1
9		400-69623	SLIDE VR CONNECT PART	1
10		SL-4030891-SC	SCREW M3X8	2
11		401-07439	REAR PANEL DOMESTIC	1
12		SM-5040855-SN	SCREW	3
13		401-07448	TT COVER DOMESTIC	1
14		SL-4030691-SC	SCREW M3 L=6	1
15		400-55401	LIFTER LEVER	1
16		400-70284	LIFTER LEVER SHAFT	1
17		400-56554	ASSY SYNC CIRCUIT BOARD	1
18		SM-5040855-SN	SCREW	1
19		401-07451	ARM COVER	1
20		401-08204	PATTERN SEAL DOMESTIC	1
21		401-07452	SPOOL COVER	1
22		SM-5040855-SN	SCREW	4
23		400-58088	SPOOL PIN	1
24		PH-0300182-C0	PARALLEL PIN	1
25		A1145-E50-000	SPOOL CAP	1
26		ST-5031051-SN	TAPPING SCREW	2
27		400-64572	ASSY THREAD GUIDE BASE	1
28		400-62034	THREAD GUIDE BASE	(1)
29		A3234-550-000	THREAD GUIDE BASE SPRING	(1)
30		A3235-030-Z00-A	THREAD GUIDE DISK SHAFT	(1)
31		A3233-731-000	THREAD GUIDE DISK	(1)
32		A3236-880-000	E-RING	(1)
33		A3237-880-000	WASHER	(1)
34		A1139-030-Z00	THREAD GUIDE MOUNTING PLATE	1
35		ST-5031051-SN	TAPPING SCREW	1
36		401-07600	SLIDE VR	1
37	#05	401-05360	ALL ASSY CPU PCB G110	1
38	#06	401-07480	ALL ASSY CPU PCB G210	1
39		SM-5040855-SN	SCREW	3
40		A3811-550-000	CORD HOLDER	1
41		SM-5040855-SN	SCREW	1
42		400-56548	ASSY ON HAND LED CIRCUIT BOARD	1
43		400-59167	LED LAMP COVER R	1
44	#05	401-07581	PATTERN PANEL G110 ASSY	1
45	#06	401-07577	PATTERN PANEL G210 ASSY	1
46		401-07596	FUNCTION BUTTON	1
47		401-07595	SHIFT BUTTON S	1
48		401-07594	SHIFT BUTTON L	2
49		ST-5031051-SN	TAPPING SCREW	3
50	#01	401-08208	RATING LABEL G110 UL	1
51	#02	401-08212	RATING LABEL G110 CE/BS	1
52	#03	401-08206	RATING LABEL G210 UL	1
53	#04	401-08210	RATING LABEL G210 CE/BS	1
54		A3922-980-000	START SWITCH LEAD TAPE	1
55		401-07900	INSULATION SEAT	1
56		401-04568	ASSY PANEL CIRCUIT BOARD FOREIGN	1
57		ST-5030851-SN	SCREW M5X8	4

NOTE

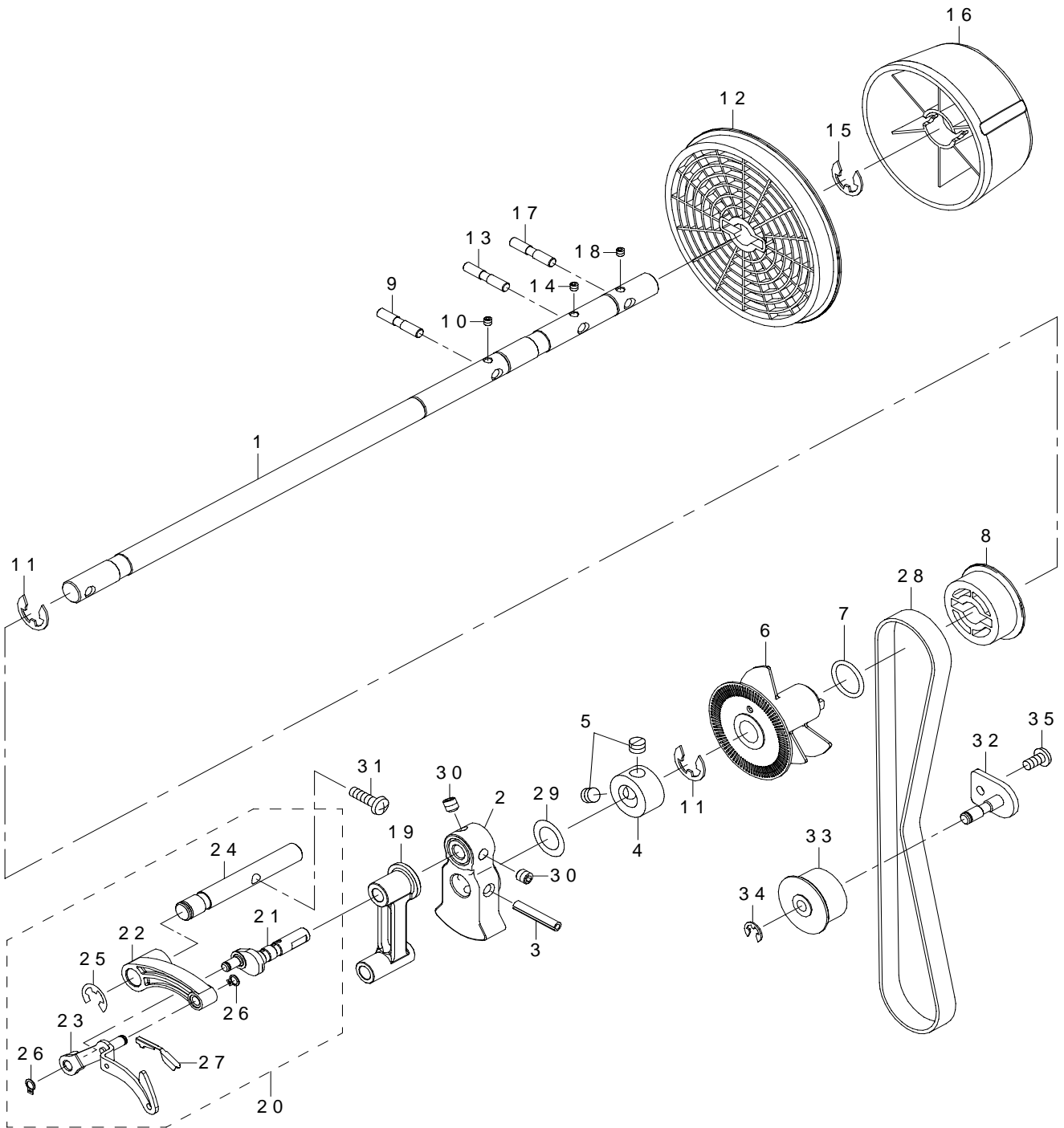
#01....FOR G110(UL)
#02....FOR G110(CE)
#03....FOR G210(UL)
#04....FOR G210(CE)
#05....FOR G110(UL),G110(CE)
#06....FOR G210(UL),G210(CE)
#07....FOR G110(UL),G210(UL)
#08....FOR G110(CE),G210(CE)

3. THROAT PLATE COMPONENTS



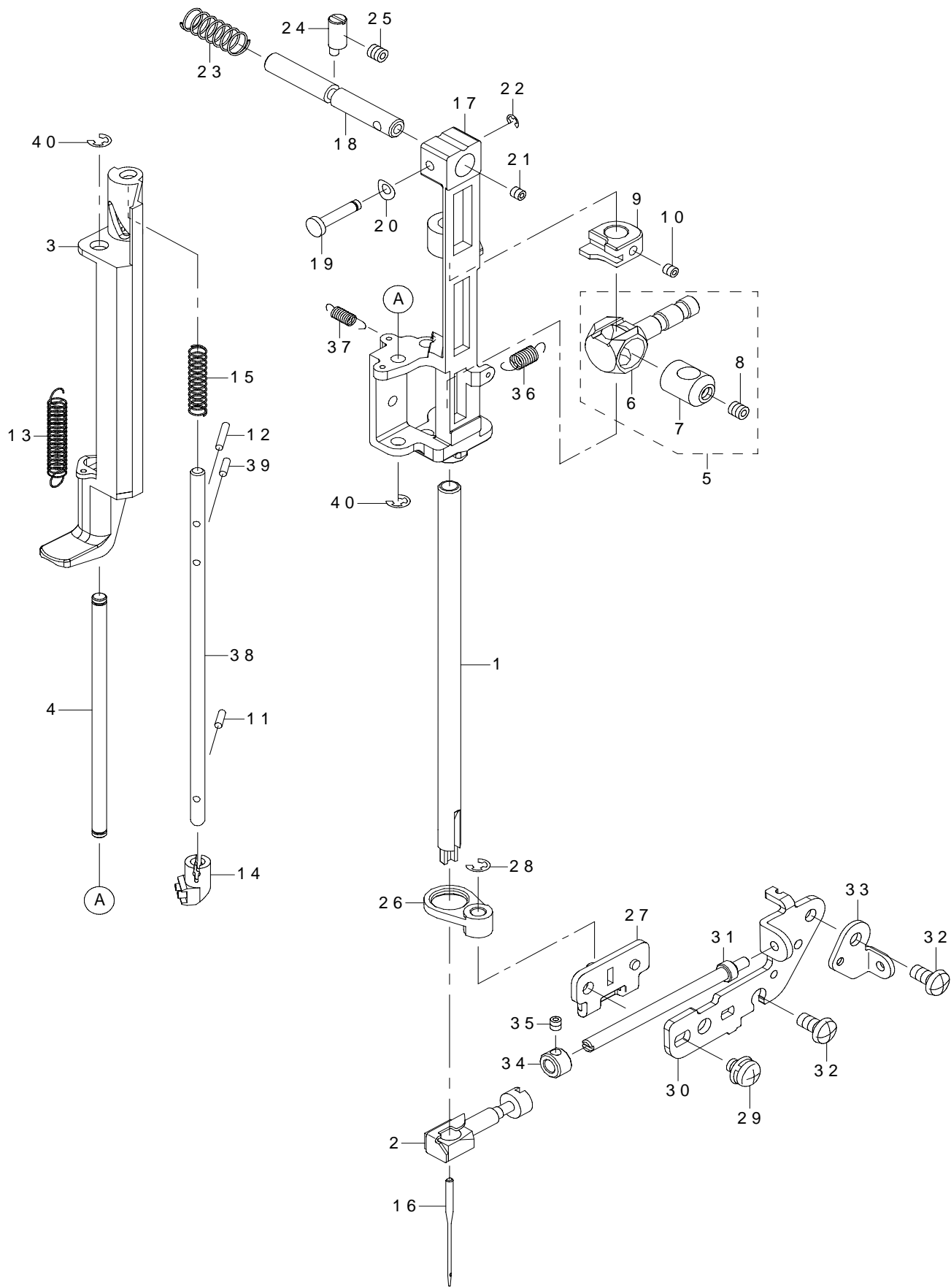
REF.NO	NOTE	PART NO	DESCRIPTION	Qty
1	#01	401-11151	ASSY_THROAT_PLATE_G100	1
2	#02	401-11549	ASSY_THROAT_PLATE_G210	1
3		A1114-010-000-A	HOOK COVER OPEN/CLOSE BUTTON	(1)
4		400-64702	THROAT PLATE PILE B	(1)
5		400-65631	HOOK COVER SUPPORT PLATE	(1)
6		SM-4020201-SC	SCREW M2 L=2	(1)
7		SM-4020201-SC	SCREW M2 L=2	(2)
8		SM-4020301-SC	SCREW M2X0.4 L=3	(1)
9	#02	A1117-008-000	NEEDLE PLATE PILEA	(2)
10		A1111-008-000	HOOK COVER SPRING	(1)
11		401-10417	STOPPING PLATE LEFT	(1)
12		SM-4020401-SF	SCREW M2 L=4	(2)
13		401-07608	INNER HOOK COVER	(1)
14		401-07604	THROAT PLATE	(1)
15		A1119-010-000	HOOK COVER BUTTON SUPPORT	(1)
16		A1138-335-000	THROAT PLATE SETSCREW	2
17		401-07601	HOOK COVER	1
		NOTE	#01.....FOR G110	
			#02.....FOR G210	

4. UPPER SHAFT & TAKE UP COMPONENTS



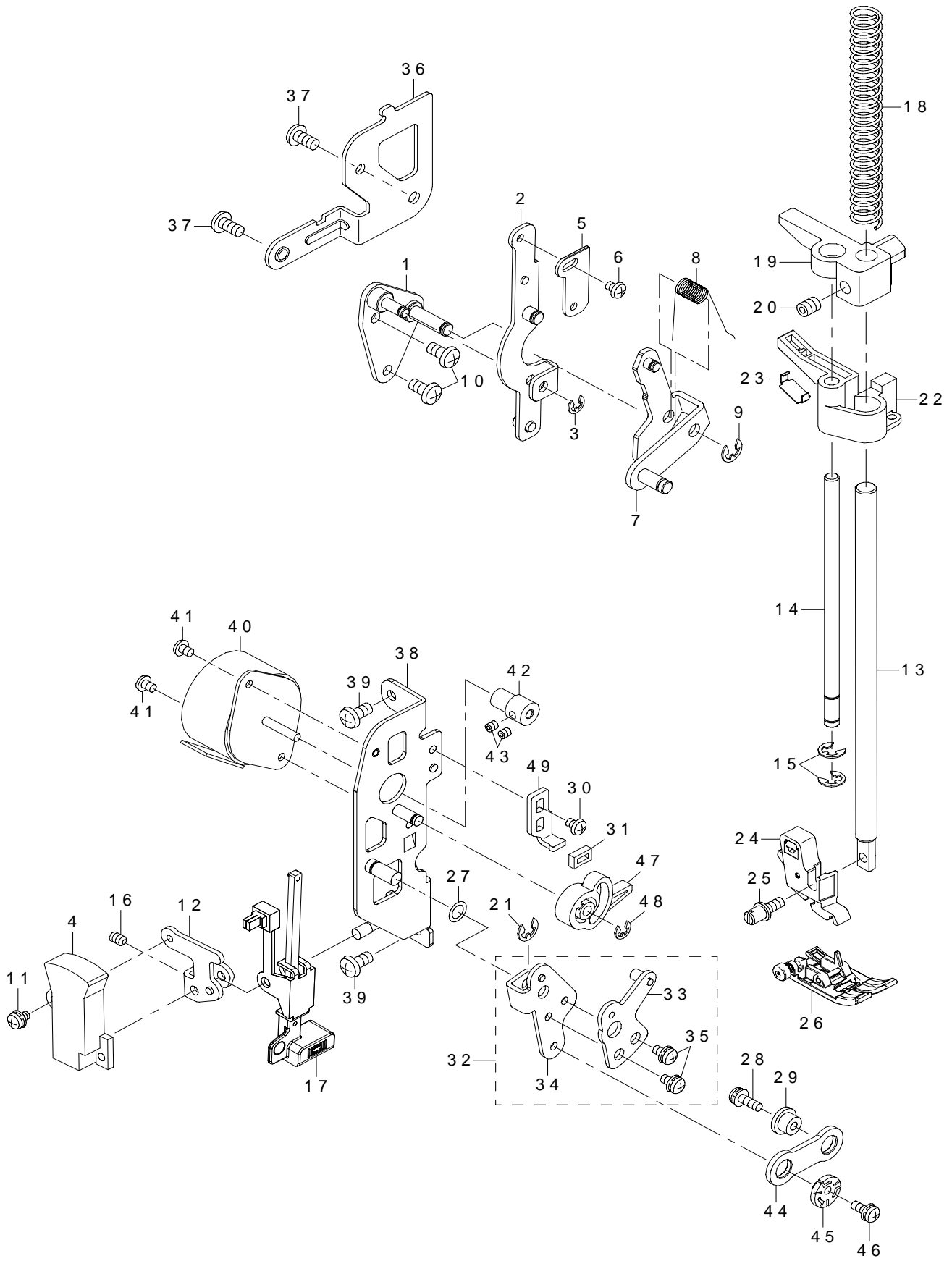
REF.NO	NOTE	PART NO	DESCRIPTION	Qty
1		401-07901	UPPER SHAFT	1
2		400-53484	COUNTER WEIGHT	1
3		PS-0400222-KP	SPRING PIN	1
4		A1203-550-000-A	THRUST COLLAR	1
5		SM-8060410-SP	SCREW M6 L=4	2
6		400-53493	DETECTOR SHIELD PLATE	1
7		RO-1331701-00	RUBBER RING	1
8		400-55825	UPPER SHAFT PULLEY	1
9		400-53469	MOTOR PULLEY PIN	1
10		SM-8030312-TP	SCREW M3 L=3	1
11		RE-0800000-K0	E-SHAPED SNAP RING (8MM)	2
12		400-57983	MOTOR PULLEY	1
13		400-53469	MOTOR PULLEY PIN	1
14		SM-8030312-TP	SCREW M3 L=3	1
15		RE-0800000-K0	E-SHAPED SNAP RING (8MM)	1
16		400-53486	HAND WHEEL	1
17		400-53469	MOTOR PULLEY PIN	1
18		SM-8030312-TP	SCREW M3 L=3	1
19		400-53487	NEEDLE BAR CRANK ROD	1
20		400-57187	TAKE UP ASSY	1
21		400-57188	NEEDLE BAR CRANK	(1)
22		400-57189	TAKE UP CRANK	(1)
23		400-57190	TAKE UP BODY ASSY	(1)
24		400-57194	TAKE UP SUPPORT SHAFT	(1)
25		RE-0600000-K0	E-RING 6	(1)
26		RC-0370411-KP	C-RING 4 (3.7)	(2)
27		400-62518	TAKE UP CLICK	(1)
28		400-57384	TIMING BELT	1
29		A1223-010-000	SPRING WASHER	1
30		SM-8050512-TN	SCREW M5 L=5	2
31		SM-5041455-SN	SCREW	1
32		400-53479	IDLER BRACKET ASSY	1
33		400-56861	IDLER	1
34		RE-0400000-K0	E-RING 4	1
35		SM-5040855-SN	SCREW	1

5. NEEDLE BAR & NEEDLE THREADER COMPONENTS



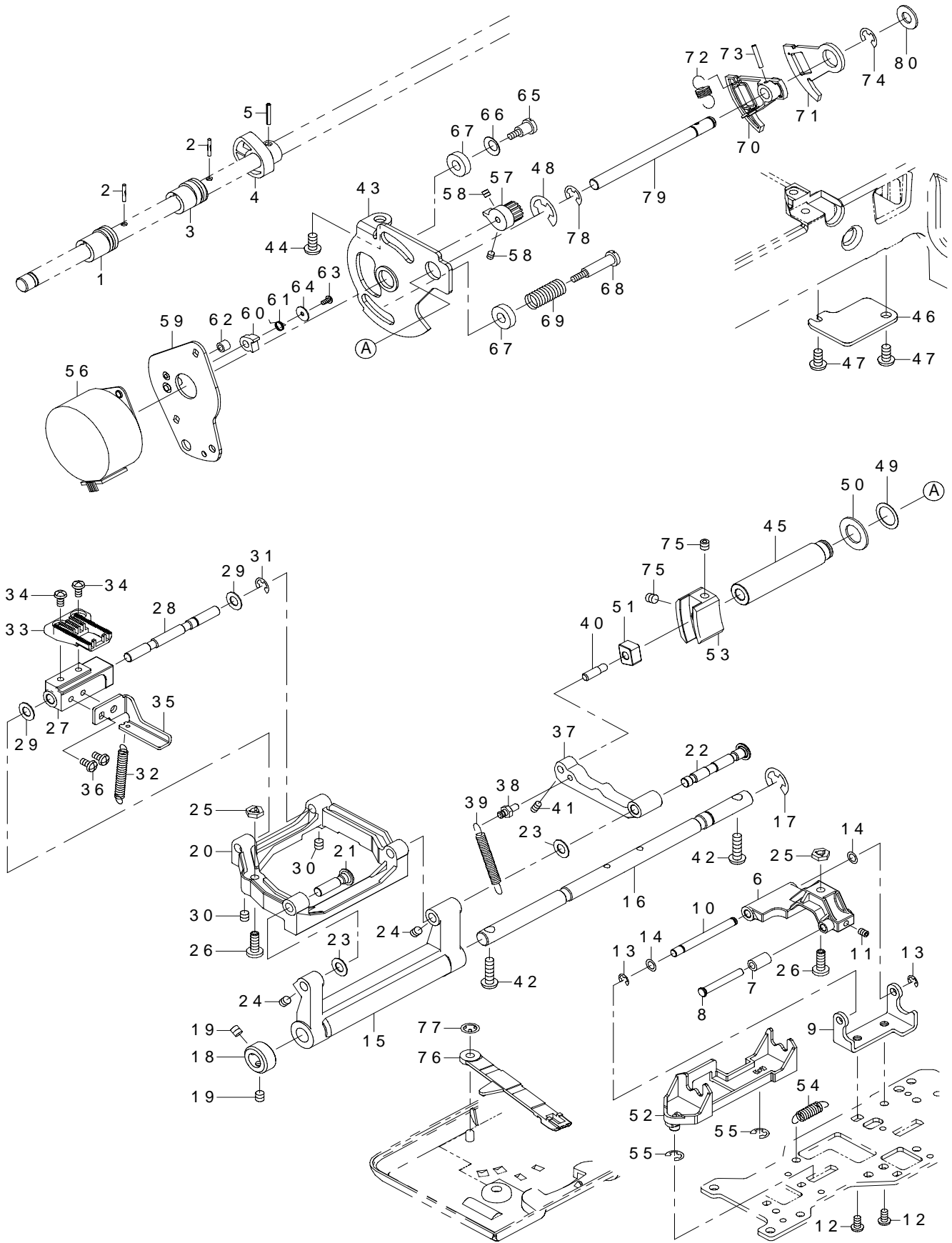
REF.NO	NOTE	PART NO	DESCRIPTION	Qty
1		401-08579	ASSY NEEDLE BAR	1
2		401-08574	ASSY NEEDLE CLAMP	1
3		401-07606	TP LEVER	1
4		401-07906	TP GUIDE SHAFT	1
5		400-53490	ASSY NEEDLE BAR CONNECTION	1
6		400-53491	NEEDLE BAR CONNECTION	(1)
7		A1412-010-000	NEEDLE BAR CONNECTION INNER	(1)
8		SM-8040412-TP	SET SCREW M4 L=4	(1)
9		400-55819	TP NEEDLE BAR GUIDE	1
10		SM-8030312-TP	SCREW M3 L=3	1
11		PS-0200082-KP	SPRING PIN TYPE W 2X8	1
12		400-55811	TP SHAFT PIN L	1
13		401-08218	TP LEVER SPRING	1
14		401-07612	TP HOOK HOLDER ASSY	1
15		400-55827	TP SHAFT SPRING	1
16		MHA-100B1400	NEEDLE 130/705H #90	1
17		400-53496	NEEDLE BAR FRAME	1
18		400-53497	NEEDLE BAR FRAME SHAFT	1
19		401-07902	NB FRAME FULCRUM SHAFT	1
20		WZ-0320290-UZ	WASHER 3.2X6.5X0.15	1
21		SM-8030312-TP	SCREW M3 L=3	1
22		RE-0200000-K0	E-RING 2	1
23		400-56970	NB FRAME SHAFT SPRING	1
24		A1427-010-000-A	NB FRAME ADJUST SHAFT	1
25		SM-8040412-TP	SET SCREW M4 L=4	1
26		400-53516	NB FRAME CONTROL ARM	1
27		400-53517	NB LATERAL ADJUST PLATE ASSY	1
28		RE-0300000-K0	E-RING 3	1
29		SL-4040691-SC	SCREW M4 L=6	1
30		401-07903	FACE PLATE FIXING PLATE	1
31		400-62407	FACE COVER SHAFT	1
32		SM-5040855-SN	SCREW	2
33		401-07904	FRONT PANEL BRACKET	1
34		A1617-030-000	THRUST COLLAR	1
35		SM-8030312-TP	SCREW M3 L=3	1
36		400-56945	NEEDLE BAR FRAME SPRING	1
37		400-71728	NEEDLE BAR FRAME SPRING L	1
38		401-07905	TP SHAFT	1
39		PS020082KP	SPRING PIN TYPE W 2X8	1
40		RE-0300000-K0	E-RING 3	2

6. PRESSER MECHANISM & NEEDLE THROWING COMPONENTS



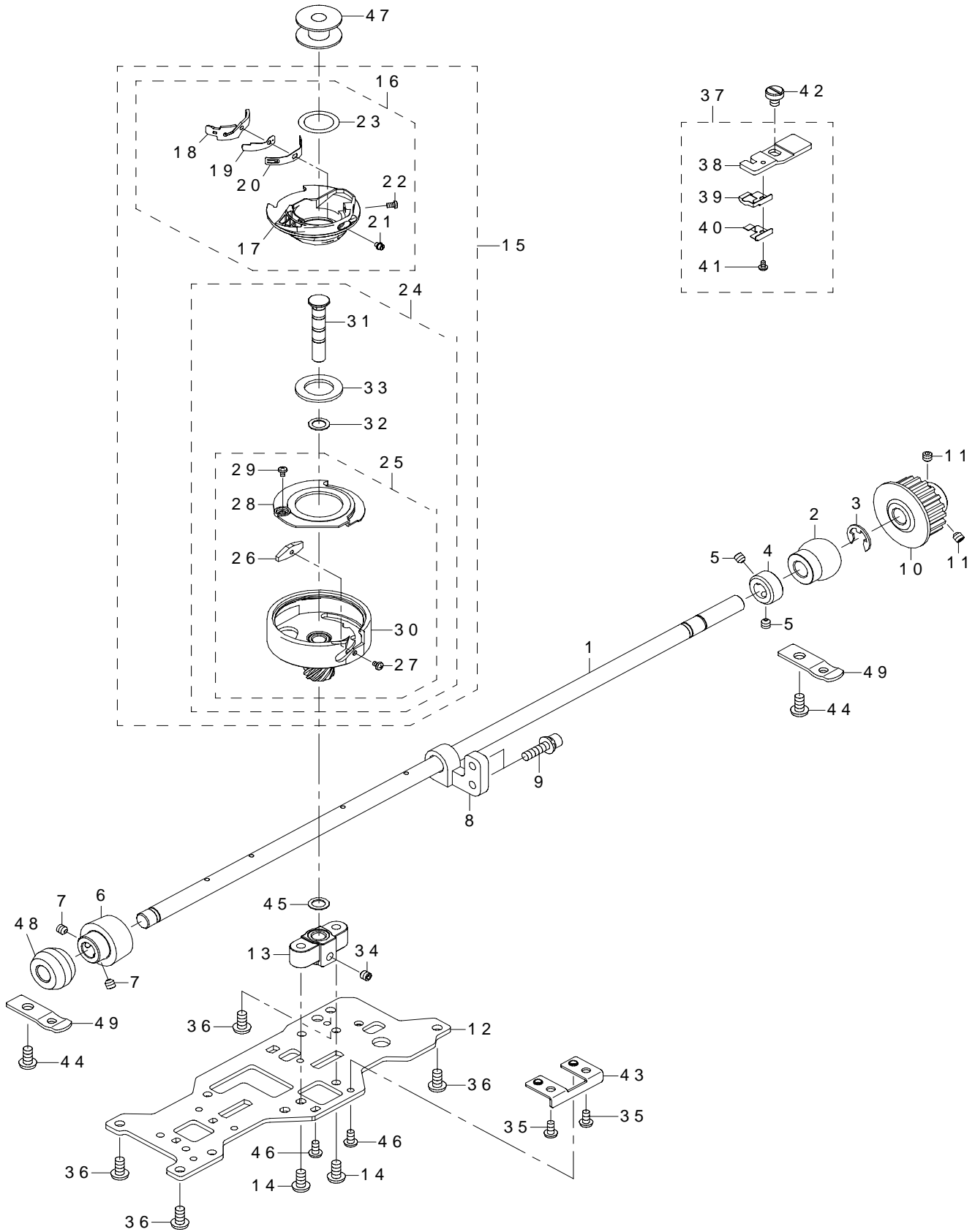
REF.NO	NOTE	PART NO	DESCRIPTION	Qty
1		400-55391	TENSION RELEASE BASE ASSY	1
2		400-55387	TENSION RELEASE PLATE ASSY	1
3		RE-0300000-K0	E-RING 3	1
4		401-07476	ASSY BH SW	1
5		400-55395	TR ADJUST PLATE	1
6		SM-5030455-SN	SCREW M3 L=4	1
7		400-55557	KNEE LIFTER PLATE ASSY	1
8		400-56969	KNEE LIFTER PLATE SPRING	1
9		RE-0400000-K0	E-RING 4	1
10		SM-5040855-SN	SCREW	2
11		SL-5030531-SF	SCREW M3 L=5	1
12		401-07913	BH SW BRACKET	1
13		400-55402	PRESSER BAR	1
14		400-55403	PF GUIDE BAR	1
15		RE-0400000-K0	E-RING 4	2
16		SM-8040602-TP	SCREW M4X0.7 L=6	1
17		401-07614	ASSY BH SWITCHING PLATE	1
18		401-08219	PRESSER SPRING	1
19		400-55406	PRESSER BAR GUIDE	1
20		SM-8050602-TP	SCREW M5 L=6	1
21		RE-0400000-K0	E-RING 4	1
22		400-61618	PRESSER BLOCK	1
23		400-64224	PRESSER BLOCK PLATE	1
24		400-56529	ASSY PRESSER FOOT HOLDER	1
25		123010006074	SCREW	1
26		400-57923	ASSY STANDARD PRESSER FOOT	1
27		WP-0520516-RZ	WASHER IN	1
28		SL-4031091-SC	SCREW M3 L=10	1
29		400-62144	ROCKING ROD BUSH	1
30		SM-5030455-SN	SCREW M3 L=4	1
31		A1646-010-000	RETRIEVAL RUBBER	1
32		400-66231	ASSY NEEDLE THROWING ARM	1
33		400-53506	NEEDLE THROWING ARM ASSY	(1)
34		400-66198	NEEDLE THROWING ADJUST ARM	(1)
35		SL-4030691-SC	SCREW M3 L=6	(2)
36		401-07907	REAR PANEL BRACKET	1
37		SM-5040855-SN	SCREW	2
38		401-07908	NT STM BASE ASSY	1
39		SM-5040855-SN	SCREW	2
40		400-56557	ASSY NT STM	1
41		SM-5030455-SN	SCREW M3 L=4	2
42		400-70288	NT STM GEAR	1
43		SM-8030312-TP	SCREW M3 L=3	2
44		400-53499	ROCKING ROD	1
45		A1456-008-000-A	LEAN CENTER SHAFT	1
46		SL-4030891-SC	SCREW M3X8	1
47		400-53505	NEEDLE THROWING GEAR	1
48		RE-0400000-K0	E-RING 4	1
49		400-55676	NT STM STOPPER	1

7. FEED MECHANISM COMPONENTS



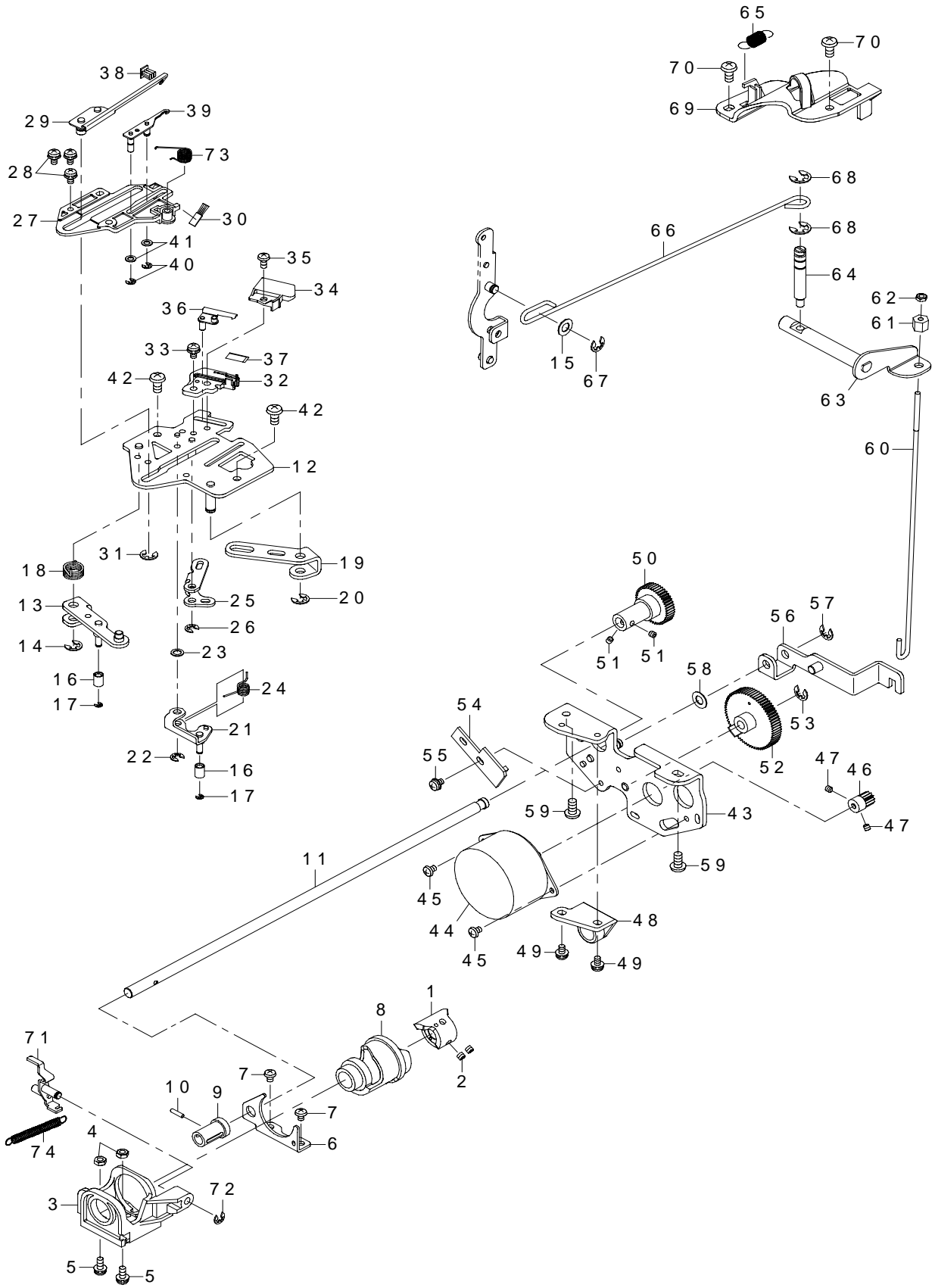
REF.NO	NOTE	PART NO	DESCRIPTION	Qty
1		400-55496	VERTICAL FEED CAM	1
2		PS-0200082-KP	SPRING PIN TYPE W 2X8	2
3		400-55499	VF ASSIST CAM	1
4		400-55504	HORIZONTAL FEED CAM	1
5		PS-0200122-KP	SPRING PIN TYPE W 2X12	1
6		400-71970	CORRECTION ARM	1
7		400-71971	CORRECTION ROLLER	1
8		400-71972	CORRECTION ROLLER SHAFT	1
9		400-71973	CORRECTION ARM BASE	1
10		401-07914	CORRECTION ARM SHAFT	1
11		SM-8030612-TP	SET SCREW	1
12		SM-5030655-SN	SCREW M3X0.5 L=6	2
13		RE-0300000-K0	E-RING 3	2
14		WP-0410516-RZ	WASHER	2
15		400-55505	HF ROCKER ARM	1
16		401-07915	HF ROCKER ARM SHAFT	1
17		RE-0700000-K0	E-RING 7	1
18		A1203-030-000	THRUST COLLAR	1
19		SM-8040412-TP	SET SCREW M4 L=4	2
20		400-55513	FEED BAR	1
21		401-07916	FEED BAR SHAFT L	1
22		400-55507	FEED BAR SHAFT R	1
23		WP-0520516-RZ	WASHER	2
24		SM-8040412-TP	SET SCREW M4 L=4	2
25		174804008000	NUT	2
26		401-07917	VF ADJUST SHAFT	2
27		400-55502	ASSIST FEED BAR	1
28		401-07918	ASSIST FEED BAR SHAFT	1
29		WP-0520516-RZ	WASHER	2
30		SM-8040412-TP	SET SCREW M4 L=4	2
31		RE-0400000-K0	E-RING 4	1
32		400-55501	FEED BAR SPRING	1
33		401-07919	FEED DOG	1
34		SM-5030655-SN	SCREW M3X0.5 L=6	2
35		400-71969	CORRECTION PLATE	1
36		SM-5030655-SN	SCREW M3X0.5 L=6	2
37		400-60607	HORIZONTAL FEED ARM	1
38		400-56010	HF ARM SPRING PIN	1
39		400-55517	HORIZONTAL FEED ARM SPRING	1
40		A1624-010-000	SLIDE BLOCK SHAFT	1
41		SM-8030612-TP	SET SCREW	1
42		SM-5041455-SN	SCREW	2
43		401-07921	FEED STM FIXING PLATE	1
44		SM-5040855-SN	SCREW	1
45		400-55520	FEED REGULATOR BUSHING	1
46		400-55519	FR BUSHING CLAMP PLATE	1
47		SM-5040855-SN	SCREW	2
48		RE-0800000-K0	E-SHAPED SNAP RING (8MM)	1
49		WZ-1052010-KP	WAVED WASHER	1
50		WP-1021016-SD	WASHER	1
51		400-55524	FEED REGULATOR BLOCK	1
52		400-57335	DF WORKING BODY	1
53		400-55522	FEED REGULATOR	1
54		400-66691	DF RETURN SPRING	1
55		RE-0400000-K0	E-RING 4	2
56		400-56558	ASSY FD STM	1
57		400-55530	FEED STM GEAR	1
58		SM-8030312-TP	SCREW M3 L=3	2
59		401-07924	FEED ADJUSTING PLATE ASSY	1
60		400-55531	FEED STOPPER LEVER	1
61		400-55532	FEED STOPPER SPRING	1
62		400-55533	ORIGIN DETECTING RUBBER	1
63		SM-4020401-SC	SCREW M2 L=4	1
64		WP-0210516-SD	PLAIN WASHER 2.1X8X0.5	1
65		A1650-008-000-A	STAGE SCREW A	1
66		A2110-700-000	SPRING WASHER	1
67		400-55539	FEED STM WASHER	2
68		A1651-008-000	STAGE SCREW A	1
69		A1658-008-000	SPRING	1
70		400-55526	FEED REGULATOR GEAR A	1
71		400-55527	FEED REGULATOR GEAR B	1
72		400-55528	FR GEAR SPRING	1
73		PS-0200122-KP	SPRING PIN TYPE W 2X12	1
74		RE-0500000-K0	E-RING	1
75		SM-8040412-TP	SET SCREW M4 L=4	2
76		400-57334	DF LEVER	1
77		A3205-555-A00	LOCKNUT	1
78		RE-0500000-K0	E-RING	1
79		400-55521	FEED_REGULATOR_SHAFT	1
80		WP-0621016-SD	WASHER 6.2X13X1	1

8. LOWER SHAFT & HOOK COMPONENTS



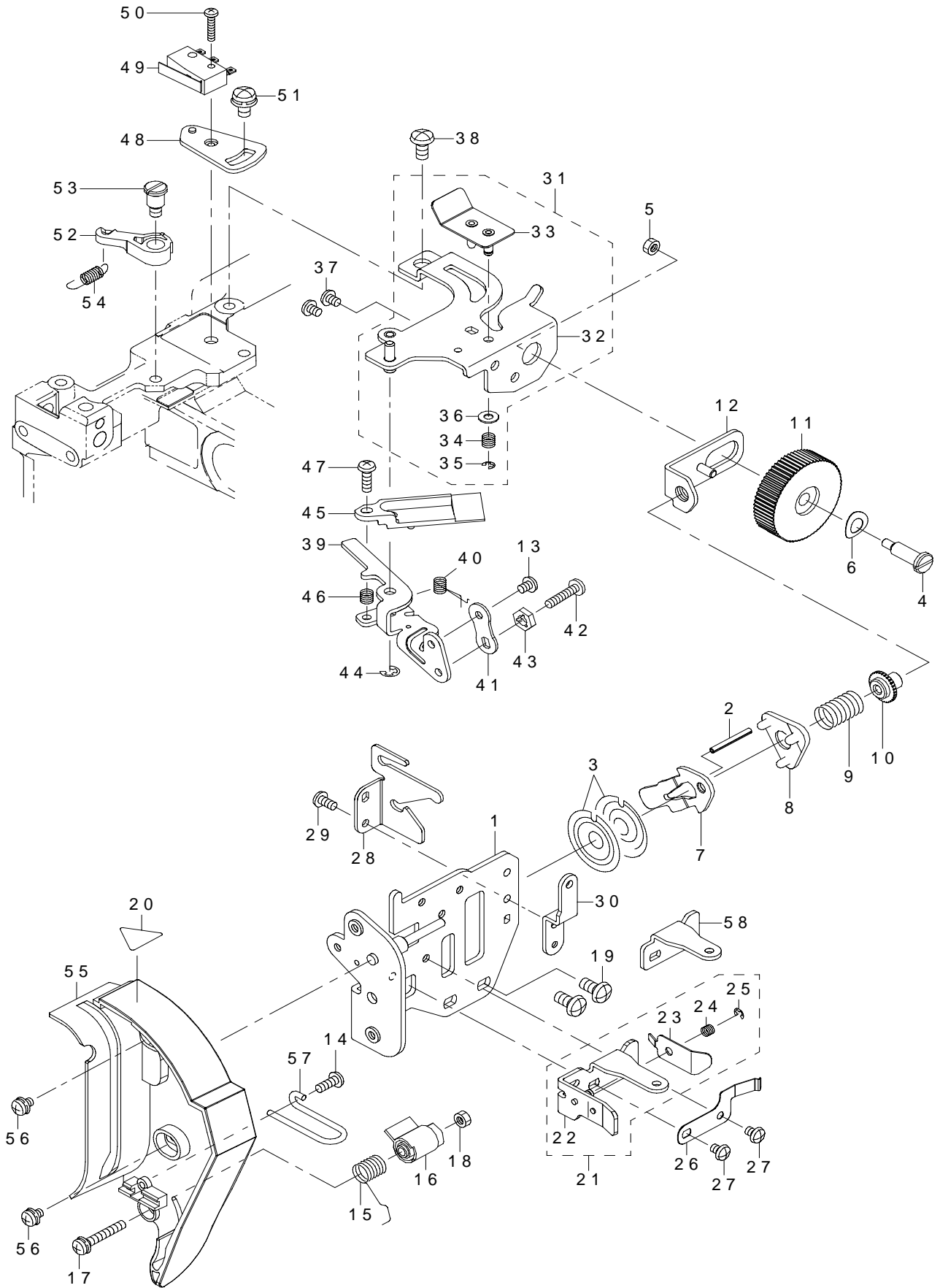
REF.NO	NOTE	PART NO	DESCRIPTION	Qty
1		401-07929	LOWER SHAFT	1
2		A1810-E60-000	LOWER SHAFT WELT BEARING	1
3		RE-0700000-K0	E-RING 7	1
4		A1203-030-000	THRUST COLLAR	1
5		SM-8040412-TP	SET SCREW M4 L=4	2
6		400-99886	HOOK DRIVING GEAR	1
7		SM-8040412-TP	SET SCREW M4 L=4	2
8		400-53495	LOWER SHAFT SUPPORT	1
9		SL-6041692-TN	SCREW	2
10		400-55826	LOWER SHAFT PULLEY	1
11		SM-8040412-TP	SET SCREW M4 L=4	2
12		400-56604	HOOK BRACKET	1
13		400-53456	HOOK DRIVING SHAFT BASE	1
14		SM-5040855-SN	SCREW	2
15		400-81293	ALL ASSY HOOK	1
16		400-79614	ALL ASSY BOBBIN CASE	(1)
17		400-58626	BOBBIN CASE MATERIAL	(1)
18		400-60608	BOBBIN CASE THREAD GUIDE	(1)
19		A1840-009-000	LOWER THREAD ADJUSTING SPRING A	(1)
20		A1841-S56-000	LOWER THREAD ADJUSTING SPRING B	(1)
21		A1843-030-000	LOWER THREAD ADJUSTING SCREW	(1)
22		A1844-030-000	BOBBIN CASE THRED GUIDE SCREW	(1)
23		400-79424	BOBINN SPIN STOP SHEET	(1)
24		A1830-E80-0C0	HOOK ASM.	(1)
25		A1830-E80-0B0	HOOK ASM.	(1)
26		A1832-008-000	HOOK NEEDLE GUARD	(1)
27		SM-5020301-SC	SCREW M2 L=3	(1)
28		A1831-031-000	HOOK BASE PLATE	(1)
29		SM-5020301-SC	SCREW M2 L=3	(1)
30		A1830-031-0A0	HOOK ASM.	(1)
31		A1809-031-0A0	HOOK SHAFT ASM.	(1)
32		WP-0620516-RZ	WASHER 6.2X9.5X0.5	(1)
33		A1833-E50-000	FELIGHT MAGNET	(1)
34		SM-8040412-TP	SET SCREW M4 L=4	1
35		SM-5030655-SN	SCREW M3X0.5 L=6	2
36		SM-5040855-SN	SCREW	4
37		400-64997	ASSY BOBBIN CASE STOPPER	1
38		400-53454	BOBBIN CASE STOPPER PLATE	(1)
39		400-56975	BOBBIN CASE STOPPER SPRING	(1)
40		400-56976	STOPPER SPRING SUPPORT	(1)
41		SM-5020301-SC	SCREW M2 L=3	(1)
42		A1138-335-000	THROAT PLATE SETSCREW	1
43		400-76508	HOOK BRACKET SUPPORT	1
44		SM-5040855-SN	SCREW	2
45		WP-0620516-RZ	WASHER 6.2X9.5X0.5	1
46		SM-5030655-SN	SCREW M3X0.5 L=6	2
47		1141000000	BOBBINN	1
48		41207008000	LOWER SHAFT WELT BEARING	1
49		21112002000	LOWER SHAFT WELT BEARING PLATE	2

9. THREAD TRIMMER COMPONENTS (FOR G210)



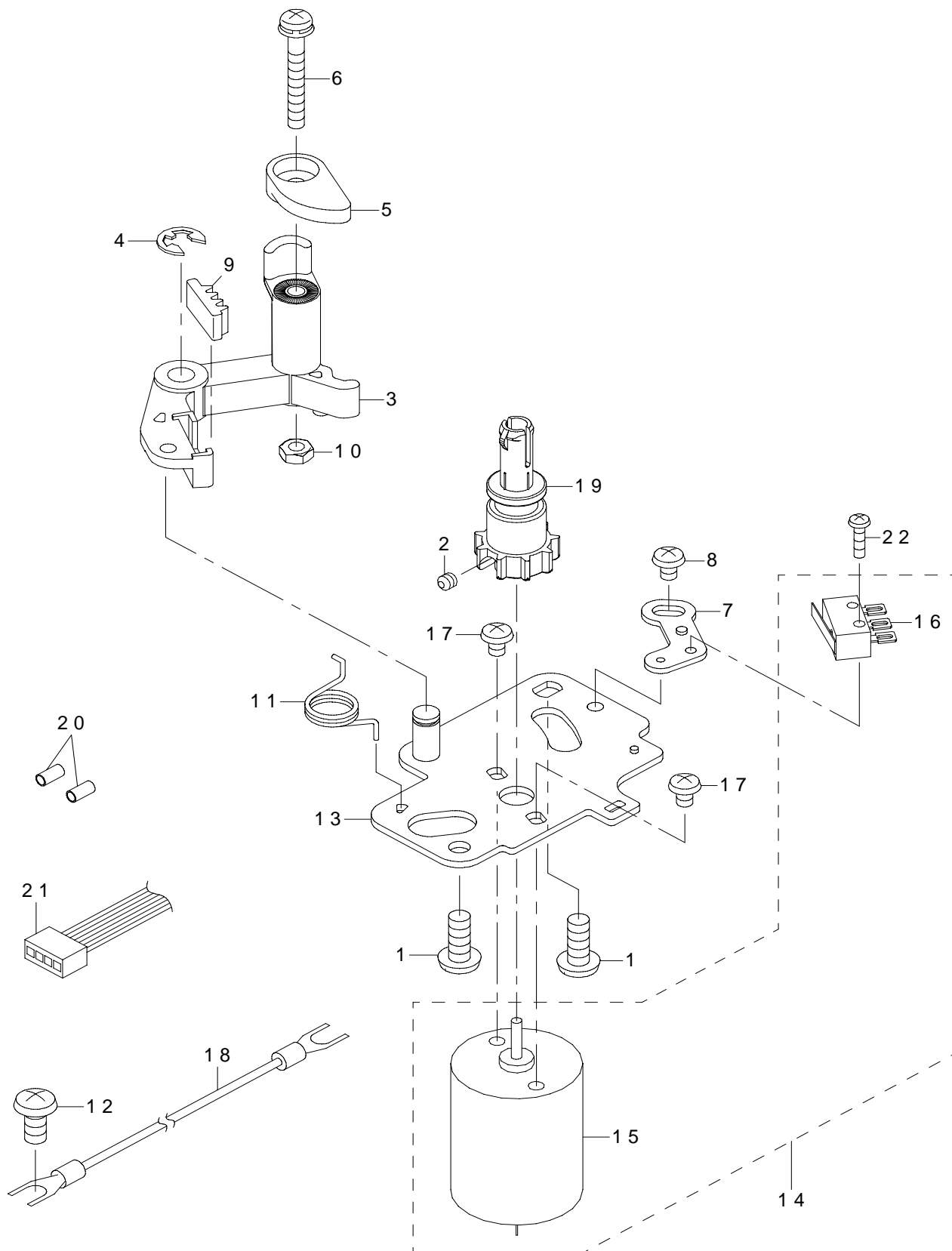
REF.NO	NOTE	PART NO	DESCRIPTION	Qty
1		400-53580	THREAD TRIMMER CAM	1
2		SM-8030312-TP	SCREW M3 L=3	2
3		400-65718	DRIVING CAM HOLDER	1
4		NM-6030002-SF	NUT M3	2
5		SL-4030891-SC	SCREW M3X8	2
6		400-53581	DRIVING CAM BRACKET R	1
7		SM-5030655-SN	SCREW M3X0.5 L=6	2
8		400-53583	CATCHER DRIVING CAM	1
9		400-53586	CAM DRIVING GEAR L	1
10		PS-0200082-KP	SPRING PIN TYPE W 2X8	1
11		400-53587	CAM DRIVING SHAFT	1
12		400-53592	TT MECHANISM BASE ASSY	1
13		400-53598	CATCHER WORKING LINK ASSY	1
14		RE-0400000-K0	E-RING 4	1
15		WP-0520516-RZ	WASHER IN	1
16		400-53602	LINK SHAFT ROLLER	2
17		RE-0150000-K0	SNAP RING 1.5	2
18		400-53610	CATCHER WORKING LINK SPRING	1
19		400-53603	CATCHER LINK	1
20		RE-0400000-K0	E-RING 4	1
21		400-53612	TT DRIVING LINK ASSY	1
22		RE-0300000-K0	E-RING 3	1
23		WP-0410516-RZ	WASHER	1
24		400-53611	TT DRIVING LINK SPRING	1
25		400-53616	THREAD TRIMMER LINK	1
26		RE-0300000-K0	E-RING 3	1
27		400-53608	THREAD CATCH GUIDE	1
28		SL-4030691-SC	SCREW M3 L=6	3
29		400-53604	CATCHER ASSY	1
30		A3187-010-000	NEEDLE BAR FRAME BRUSH	1
31		RE-0400000-K0	E-RING 4	1
32		400-53624	TT CUTTER BASE	1
33		SL-4030691-SC	SCREW M3 L=6	1
34		400-53621	TT CUTTER COVER	1
35		SM-5030655-SN	SCREW M3X0.5 L=6	1
36		400-53617	TT CATCHER ASSY	1
37		A3711-010-000-A	TOP THREADING CUTTER	1
38		400-53609	THREAD KEEPING PILE	1
39		400-78681	UT HOOK ASSY	1
40		RE-0200000-K0	E-RING 2	2
41		WP-0310516-RZ	WASHER 3.1X5.4X0.5	2
42		SM-5040855-SN	SCREW	2
43		400-53588	THREAD TRIMMER STM BASE ASSY	1
44		400-56556	ASSY TT STM	1
45		SM-5030655-SN	SCREW M3X0.5 L=6	2
46		400-67261	TT STM GEAR	1
47		SM-8030312-TP	SCREW M3 L=3	2
48		400-67671	CAM DRIVING GEAR R HOLDER	1
49		SL-4030691-SC	SCREW M3 L=6	2
50		400-53585	CAM DRIVING GEAR R	1
51		SM-8030312-TP	SCREW M3 L=3	2
52		400-53584	INTERMEDIATE GEAR	1
53		RE-0400000-K0	E-RING 4	1
54		400-56564	ASSY TT STM ORG CIRCUIT BOARD	1
55		SL-5030531-SF	SCREW M3 L=5	1
56		400-53641	TR PLATE LOWER ASSY	1
57		RE-0400000-K0	E-RING 4	1
58		WP-0520516-RZ	WASHER	1
59		SM-5040855-SN	SCREW	2
60		400-53640	TR LINK LOWER	1
61		A2444-500-000	NUT	1
62		NM-6860002-MZ	NUT M2.6	1
63		400-53637	TR LINK PLATE ASSY	1
64		400-53632	TR CONNECT SHAFT	1
65		400-53636	TENSION RELEASE SPRING	1
66		400-53628	TR LINK UPPER	1
67		RE-0400000-K0	E-RING 4	1
68		RE-0500000-K0	E-RING	2
69		400-55796	WIRE GUIDE A	1
70		SM-5040855-SN	SCREW	2
71		400-78686	UT HOOK LEVER ASSY	1
72		RE-0300000-K0	E-RING 3	1
73		400-78685	UT HOOK SPRING	1
74		400-78690	UT HOOK LEVER SPRING	1

10. THREAD TENSION COMPONENTS



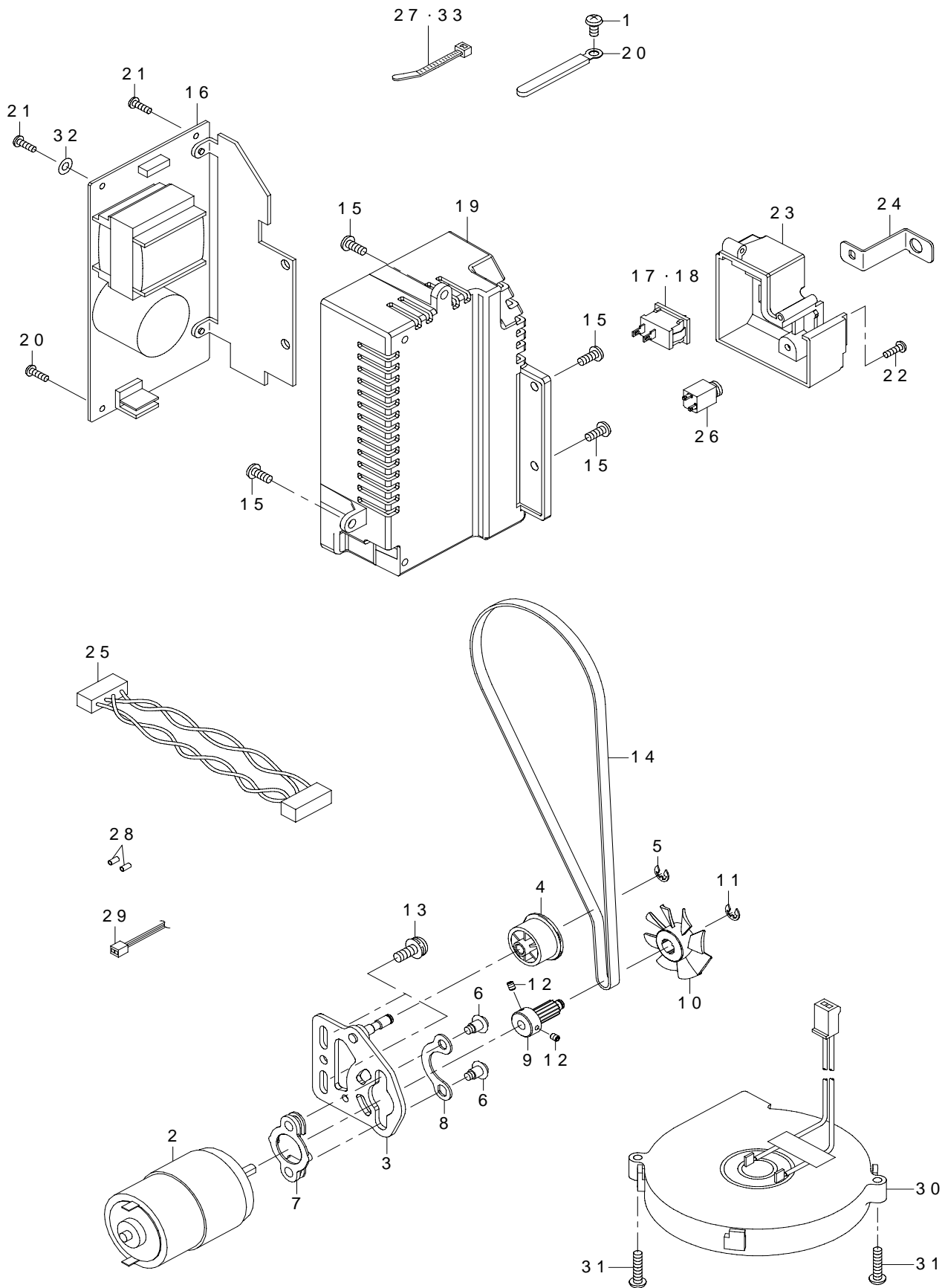
REF.NO	NOTE	PART NO	DESCRIPTION	Qty
1		400-53520	FACE PLATE ASSY	1
2		PS-0200182-KP	SPRING PIN TYPE W 2X18	1
3		A3910-634-000-B	TENSION DISC	2
4		400-66124	TT DIAL SHAFT	1
5		NM-6030002-SF	NUT M3	1
6		A2110-700-000	SPRING WASHER	1
7		400-53525	DISC RELEASE PLATE	1
8		400-55371	DISC HOLDER	1
9		401-12878	THREAD TENSION SPRING	1
10		400-53526	THREAD TENSION ADJUST NUT	1
11		401-07588	TT DIAL	1
12		400-53532	THREAD TENSION ADJUST PLATE ASM	1
13		SM-5030455-SF	SCREW M3 L=4	1
14		ST-5030851-SN	SCREW M5X8	1
15		400-55377	TAKE UP SPRING	1
16		400-55378	TAKE UP SPRING HOLDER	1
17		SL-4032081-SC	SCREW M3 L=20	1
18		NM-6030002-SF	NUT M3	1
19		SM-5040855-SN	SCREW	2
20		CM-3002000-01	ATTENTION SEAL	1
21	#02	400-64573	ASSY SUB TENSION BASE	1
22	#02	400-62044	SUB TENSION BASE ASSY	(1)
23	#02	400-62047	SUB TENSION	(1)
24	#02	400-62048	SUB TENSION SPRING	(1)
25	#02	RE-0200000-K0	E-RING 2	(1)
26		400-53528	THREAD TENSION DIAL CLICK	1
27		SM-5030655-SN	SCREW M3X0.5 L=6	2
28		400-57974	ARM THREAD GUIDE	1
29		SM-5030655-SN	SCREW M3X0.5 L=6	1
30		401-07931	THREAD TENSION COVER BRACKET	1
31		400-64704	ASSY BASE TENSION BASE	1
32		400-55383	BASE TENSION BASE ASSY	(1)
33		400-55384	BASE TENSION ASSY	(1)
34		400-55420	BASE TENSION SPRING	(1)
35		RE-0200000-K0	E-RING 2	(1)
36		WP-0320501-SC	WASHER M3	(1)
37		SM-5030455-SF	SCREW M3 L=4	2
38		SM-5040855-SN	SCREW	1
39		400-55561	RELEASE ARM	1
40		400-55400	RELEASE ARM SPRING	1
41		400-70286	RELEASE ARM SPACER	1
42		SM-5031401-SC	SCREW M3 L=14	1
43		174803004000	NUT	1
44		RE-0300000-K0	E-RING 3	1
45		400-66195	BASE TENSION LIFTER	1
46		400-66193	BASE TENSION LIFTER SPRING	1
47		SM-5031001-SE	SCREW M3 L=10	1
48		400-55385	PRESSER LIFTER SW BASE	1
49		400-56544	ASSY OST SW	1
50		SM-4831001-SF	SCREW M2.3 L=10	1
51		SL-5040835-SN	SCREW	1
52		400-55396	TENSION RELEASE ARM	1
53		400-55397	TR ARM LOCATE SCREW	1
54		400-55398	TR ARM SPRING	1
55		401-07442	FACE PLATE COVER	1
56		SL-4030591-SC	SCREW M3 L=5	2
57		400-55376	TAKE UP SPRING GUIDE	1
58	#01	401-07930	FRONT PANEL BRACKET U	1
		NOTE	#01....FOR G110 #02....FOR G210	

11. BOBBIN WINDER COMPONENTS



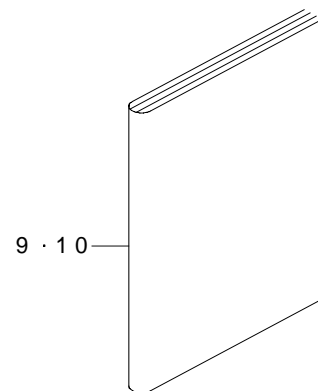
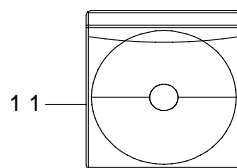
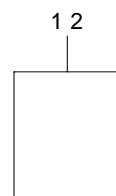
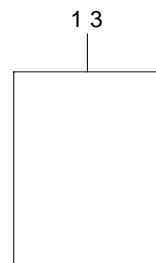
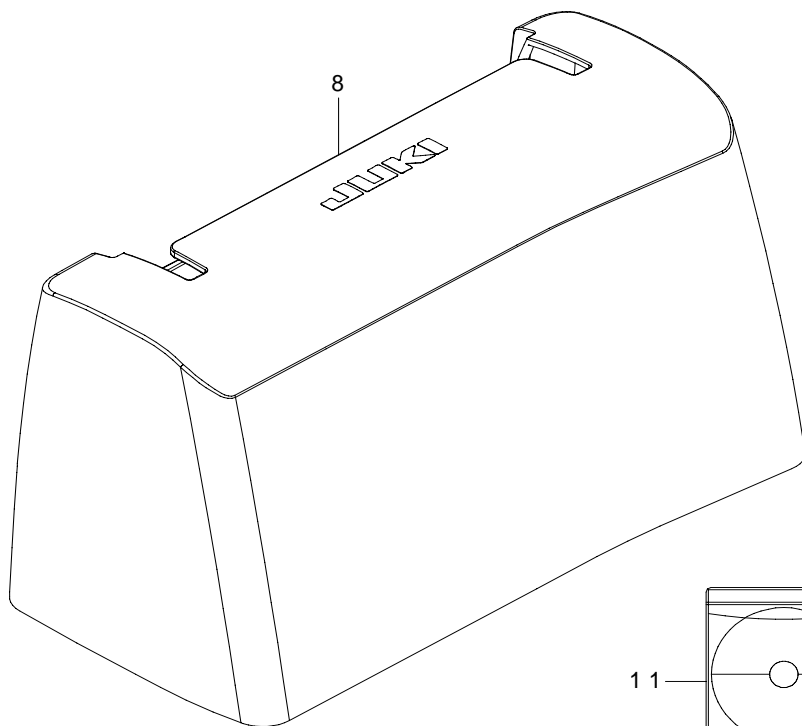
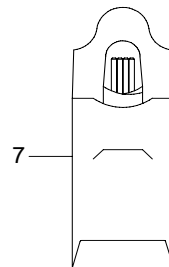
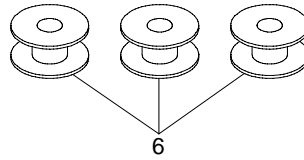
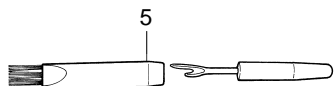
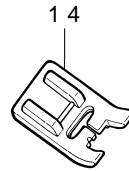
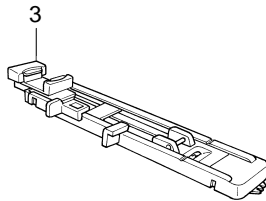
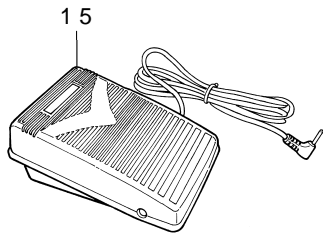
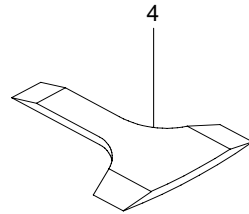
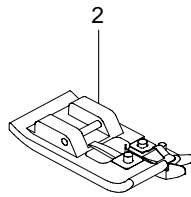
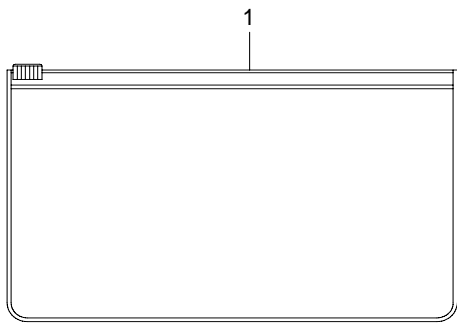
REF.NO	NOTE	PART NO	DESCRIPTION	Qty
1		ST-5041051-SN	SCREW	2
2		SM-8030312-TP	SCREW M3 L=3	1
3		400-97679	BW ADJUST BASE	1
4		RE-0400000-K0	E-RING 4	1
5		400-53677	BW ADJUST BODY	1
6		SL-4032591-SC	SCREW M3X25	1
7		400-97680	SW BASE	1
8		SM-5030655-SN	SCREW M3X0.5 L=6	1
9		400-76145	STOPPER RUBBER	1
10		NM-6030002-SF	NUT M3	1
11		400-61796	BW SPRING	1
12		SM-5040855-SN	SCREW	1
13		400-97677	BOBBIN WINDER BASE ASSY	1
14		400-97681	ASSY_WIND_MOTOR	1
15		400-65720	WIND MOTOR	(1)
16		HA-0042000-00	MICRO SWITCH	(1)
17		SM-5030455-SF	SCREW M3 L=4	2
18		400-66041	ASSY WIND CODE	1
19		401-07610	BOBBIN WINDER SHAFT	1
20		E8760-452-B00	TUBE	1
21		400-73194	ASSY WIND MOTOR LEAD WIRE	1
22		SM-5020855-SN	SCREW M2 L=8	1

12. POWER SUPPLY & MAIN MOTOR COMPONENTS



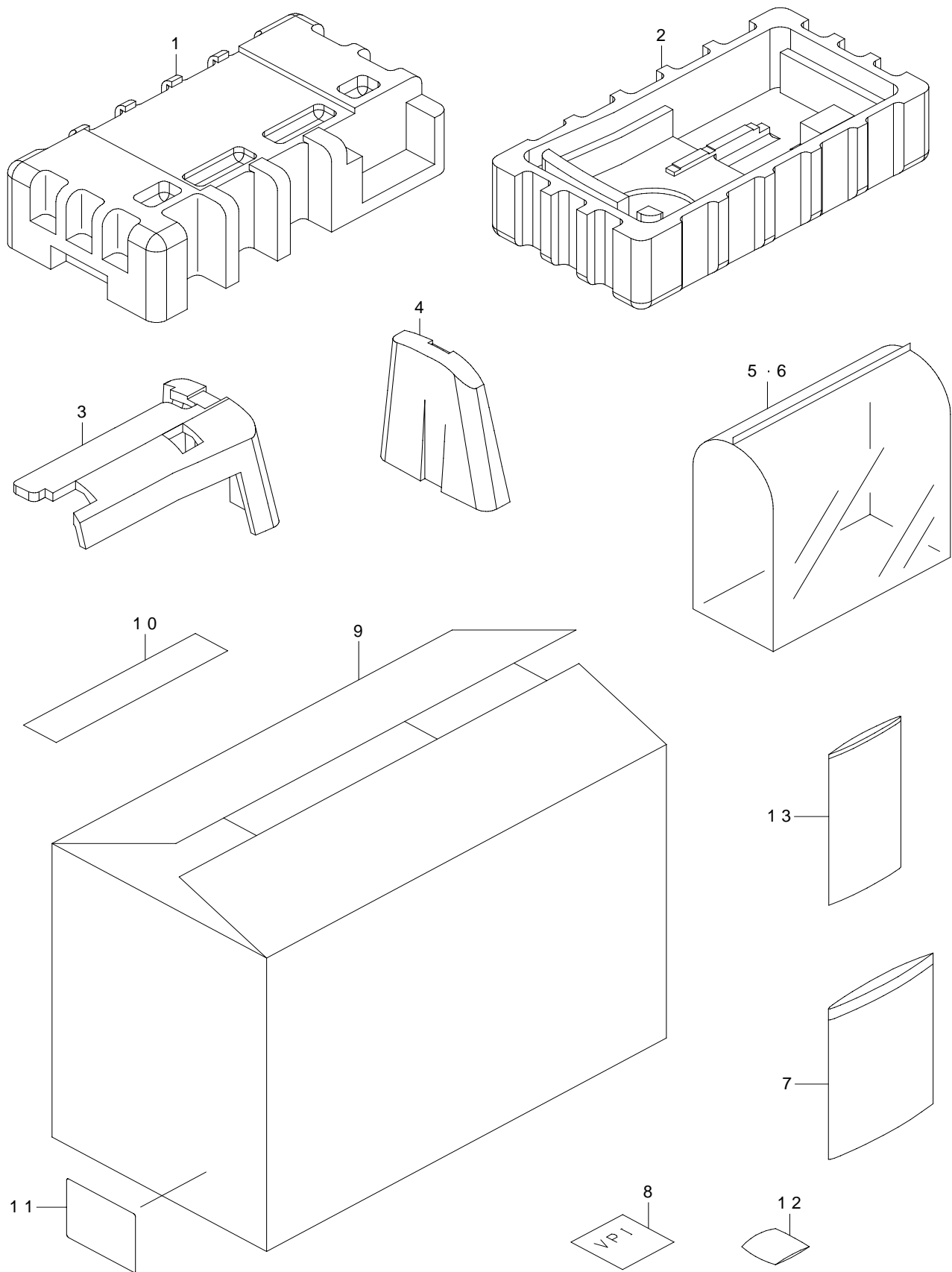
REF.NO	NOTE	PART NO	DESCRIPTION	Qty
1		SM-5040855-SN	SCREW	2
2		400-65716	MAIN MOTOR	1
3		400-57951	MOTOR BRACKET ASSY	1
4		400-56861	IDLER	1
5		RE-0400000-K0	E-RING 4	1
6		400-57922	RUBBER WASHER SCREW	2
7		400-62143	MOTOR SPACER	1
8		400-66024	SPACER PLATE	1
9		400-55830	MOTOR SHAFT PULLEY	1
10		400-53472	MOTOR SHAFT PULLEY FLANGE	1
11		RE-0400000-K0	E-RING 4	1
12		SM-8030612-TP	SET SCREW	2
13		SL-4051485-SE	BASE PLATE SETSCREW	2
14		400-57960	MOTOR TIMING BELT	1
15		SM-5041055-SN	SCREW M4X10	4
16		400-88328	ASSY POWER SUPPLY	1
17	#03	400-56541	ASSY POWER SW UL	1
18	#04	400-56542	ASSY POWER SW EU	1
19		400-53475	SWITCHING POWER SOURCE COVER	1
20		A3811-550-000	CORD HOLDER	2
21		ST-5031051-SN	TAPPING SCREW	3
22		ST-5031051-SN	TAPPING SCREW	1
23		400-53474	INLET COVER	1
24		401-07932	CONTROLLER JACK PLATE	1
25		400-56552	ASSY POWER SUPPLY RELAY	1
26		401-07481	ASSY CONT SOCKET	1
27	#01	A4078-550-00B	BAND	9
28		E8760-452-F00	TUBE	1
29		400-73193	ASSY MAIN MOTOR LEAD WIRE	1
30		400-90036	ASSY CORD CASE WHITE	1
31		SM-4041801-SN	SCREW M4X0.7 L=18	2
32		WP-0430801-SC	WASHER M4	1
33	#02	A4078-550-00B	BAND	10
		NOTE	#01....FOR G110(UL),G110(CE) #02....FOR G210(UL),G210(CE) #03....FOR G110(UL),G210(UL) #04....FOR G110(CE),G210(CE)	

13. ACCESSORIE PARTS COMPONENTS



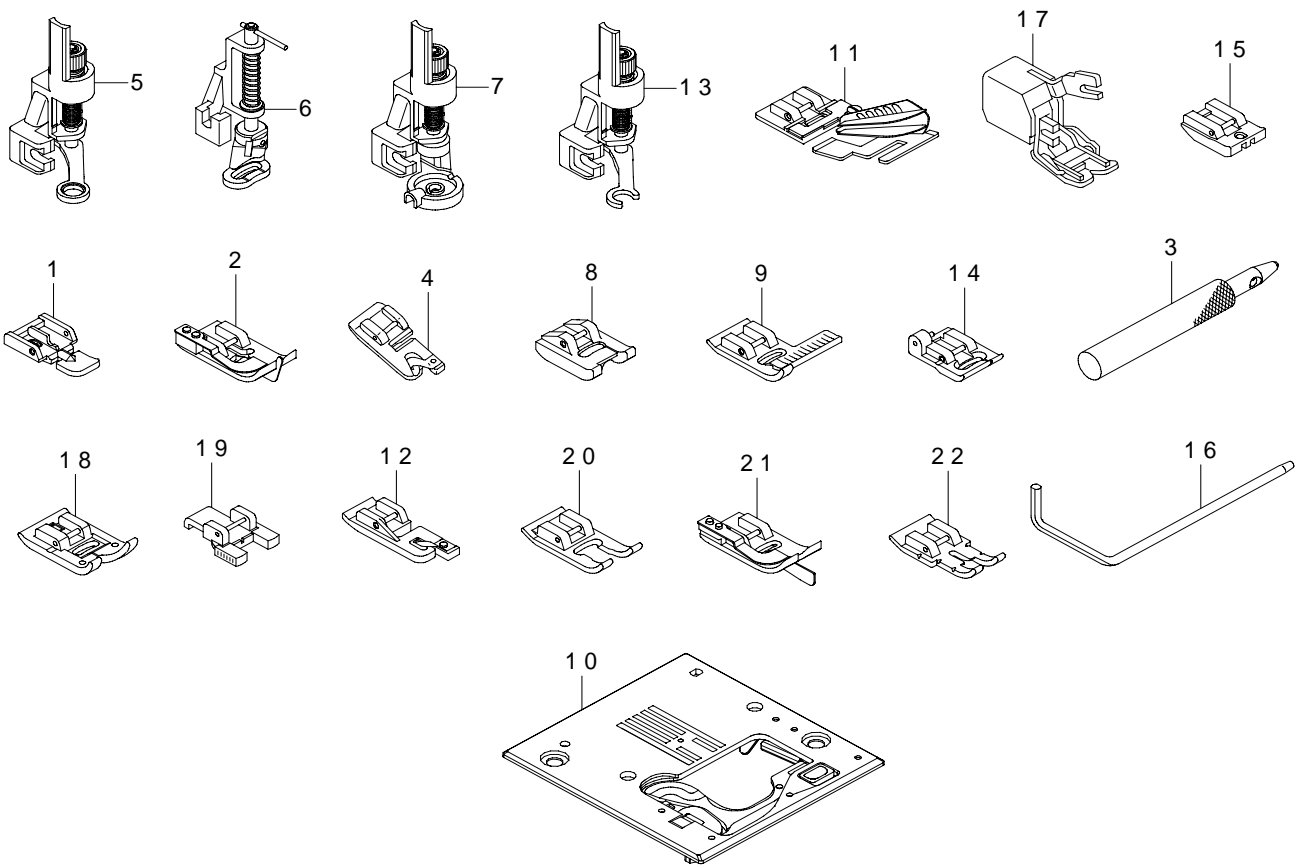
REF.NO	NOTE	PART NO	DESCRIPTION	Qty
1		A9101-550-000	ACCESSORY BAG	1
2		401-10163	ASSY OVERCASTING FOOT	1
3		401-10162	ASSY BH PRESSER FOOT	1
4		A9110-700-000	SCREWDRIVER	1
5		401-11392	SEAM RIPPER	1
6		1141000000	BOBBIN	3
7		400-75804	NEEDLE SET	1
8		401-07467	ASSY HARD CASE	1
9	#01	401-11092	INSTRUCTION MANUAL A	1
10	#02	401-11093	INSTRUCTION MANUAL B	1
11	#03	401-13403	ASSY INSTRUCTION DVD E	1
12	#04	400-75482	WARRANTY CARD(JUKI AMERICA)	1
13	#05	400-80802	WARRANTY CARD	1
14		401-10165	TRANSPARENT BUTTONEHOLE FOOT	1
15		401-07483	FOOT CONTROLLER FOREIGN	1
		NOTE	#01....FOR G110(UL),G110(CE),G110(BS), G210(UL),G210(CE),G210(BS)	
			#02....FOR G110(CE2),G210(CE2)	
			#03....FOR G110(UL),G110(CE),G110(BS),G110(CE2), G210(UL),G210(CE),G210(BS),G210(CE2)	
			#04....FOR G110(UL),G210(UL)	
			#05....FOR G110(CE),G110(BS),G110(CE2), G210(CE),G210(BS),G210(CE2)	

14. PACKING MATERIAL COMPONENTS



REF.NO	NOTE	PART NO	DESCRIPTION	Qty
1		401-08225	CUSHIONING TOP	1
2		401-08226	CUSHIONING BOTTOM	1
3		401-08227	CUSHIONING CASE A	1
4		401-08228	CUSHIONING CASE B	1
5		400-90758	MACHINE COVER	1
6		400-90758	MACHINE COVER	1
7		A9181-008-000	VINYL	1
8		J0233-500-A00	VPI PAPER	1
9		401-08229	OUTER PACKING CASE F	1
10		J0231-010-A0F	TAPE FOR PACKAGE (50M)	1
11		400-80780	BAR CODE LABEL	1
12		J0240-082-A00	SILICA GEL	1
13		J0231-082-A00	VINYL SHEET	1

15. OPTIONAL ACCESSORY PARTS COMPONENTS



REF.NO	NOTE	PART NO	DESCRIPTION	Qty
1		A9133-010-0A0	ZIPPER FOOT ASM.	1
2		401-12904	BP BLINDSTITCH FOOT	1
3		A9103-880-000	EYELET PUNCH	1
4		400-80958	BP ROLLED HEMMING FOOT	1
5		400-80964	BP QUILTING FOOT	1
6		400-80953	BP CLEAR QUILTING FOOT	1
7		400-80950	BP FREE MOTION CORDING FOOT	1
8		400-80956	BP PEARL SEWING FOOT	1
9		400-80952	BP STITCH GUIDE FOOT	1
10		400-80968	BP STRAIGHT STITCH THROAT PLATE	1
11		400-80954	BP BINDER FOOT	1
12		400-80957	BP ZIG ZAG ROLLED HEMMING FOOT	1
13		400-80949	BP OPEN QUILTING FOOT	1
14		400-80951	BP APPLIQUE FOOT	1
15		400-80955	BP INVISIBLE ZIPPER FOOT	1
16		A9134-550-000	RULER	1
17		400-80963	BP EVEN FEED FOOT	1
18		400-79312	BLISTER BAG ASM(DEC STTICH FOOT)	1
19		400-80969	BP BUTTON SEWING FOOT	1
20		400-80962	BP OPEN TOE FOOT	1
21		400-80965	BP EDGE STITCH FOOT	1
22		400-80959	BP PACHWORK FOOT	1

NUMERICAL INDEX OF PARTS

PART NO	PAGE	REF NO	PART NO	PAGE	REF NO	PART NO	PAGE	REF NO	PART NO	PAGE	REF NO
A1111-008-000	6	10	NM-6030002-SF	20	5	SL-6041692-TN	16	9	SM-8030612-TP	14	41
A1114-010-000-A	6	3	NM-6030002-SF	20	18	SM-4020201-SC	6	6	SM-8030612-TP	24	12
A1117-008-000	6	9	NM-6030002-SF	22	10	SM-4020201-SC	6	7	SM-8040412-TP	2	2
A1119-010-000	6	15	NM-6860002-MZ	18	62	SM-4020301-SC	6	8	SM-8040412-TP	10	8
A1138-335-000	6	16				SM-4020401-SC	14	63	SM-8040412-TP	10	25
A1138-335-000	16	42	PH-0300062-C0	2	5	SM-4020401-SF	6	12	SM-8040412-TP	14	19
A1139-030-Z00	4	34	PH-0300182-C0	4	24	SM-4041801-SN	24	31	SM-8040412-TP	14	24
A1145-E50-000	4	25	PS-0200082-KP	10	11	SM-4831001-SF	20	50	SM-8040412-TP	14	30
A1159-770-000	2	21	PS-0200082-KP	14	2	SM-5020301-SC	16	27	SM-8040412-TP	14	75
A1203-030-000	14	18	PS-0200082-KP	18	10	SM-5020301-SC	16	29	SM-8040412-TP	16	5
A1203-030-000	16	4	PS-0200122-KP	14	5	SM-5020301-SC	16	41	SM-8040412-TP	16	7
A1203-550-000-A	8	4	PS-0200122-KP	14	73	SM-5020855-SN	22	22	SM-8040412-TP	16	11
A1223-010-000	8	29	PS-0200182-KP	20	2	SM-5030455-SF	20	13	SM-8040412-TP	16	34
A1412-010-000	10	7	PS020082KP	10	39	SM-5030455-SF	20	37	SM-8040602-TP	12	16
A1427-010-000-A	10	24	PS-0400222-KP	8	3	SM-5030455-SF	22	17	SM-8050512-TN	8	30
A1456-008-000-A	12	45				SM-5030455-SN	12	6	SM-8050602-TP	12	20
A1617-030-000	10	34	RC-0370411-KP	8	26	SM-5030455-SN	12	30	SM-8060410-SP	8	5
A1624-010-000	14	40	RE-0150000-K0	18	17	SM-5030455-SN	12	41	ST-5030851-SN	2	6
A1646-010-000	12	31	RE-0200000-K0	10	22	SM-5030655-SN	14	12	ST-5030851-SN	4	57
A1650-008-000-A	14	65	RE-0200000-K0	18	40	SM-5030655-SN	14	34	ST-5030851-SN	20	14
A1651-008-000	14	68	RE-0200000-K0	20	25	SM-5030655-SN	14	36	ST-5031051-SN	4	26
A1658-008-000	14	69	RE-0200000-K0	20	35	SM-5030655-SN	16	35	ST-5031051-SN	4	35
A1809-031-0A0	16	31	RE-0300000-K0	10	28	SM-5030655-SN	16	46	ST-5031051-SN	4	49
A1810-E60-000	16	2	RE-0300000-K0	10	40	SM-5030655-SN	18	7	ST-5031051-SN	24	21
A1830-E80-0B0	16	25	RE-0300000-K0	12	3	SM-5030655-SN	18	35	ST-5031051-SN	24	22
A1830-E80-0C0	16	24	RE-0300000-K0	14	13	SM-5030655-SN	18	45	ST-5031251-SS	4	3
A1830-031-0A0	16	30	RE-0300000-K0	18	22	SM-5030655-SN	20	27	ST-5041051-SN	22	1
A1831-031-000	16	28	RE-0300000-K0	18	26	SM-5030655-SN	20	29			
A1832-008-000	16	26	RE-0300000-K0	18	72	SM-5030655-SN	22	8	WP-0210516-SD	14	64
A1833-E50-000	16	33	RE-0300000-K0	20	44	SM-5031001-SE	20	47	WP-0310516-RZ	18	41
A1840-009-000	16	19	RE-0400000-K0	2	7	SM-5031401-SC	20	42	WP-0320501-SC	20	36
A1841-S56-000	16	20	RE-0400000-K0	8	34	SM-5040855-SN	2	9	WP-0410516-RZ	14	14
A1843-030-000	16	21	RE-0400000-K0	12	9	SM-5040855-SN	2	11	WP-0410516-RZ	18	23
A1844-030-000	16	22	RE-0400000-K0	12	15	SM-5040855-SN	2	18	WP-0430801-SC	24	32
A2110-700-000	14	66	RE-0400000-K0	12	21	SM-5040855-SN	2	19	WP-0520516-RZ	12	27
A2110-700-000	20	6	RE-0400000-K0	12	48	SM-5040855-SN	2	24	WP-0520516-RZ	14	23
A2444-500-000	18	61	RE-0400000-K0	14	31	SM-5040855-SN	2	26	WP-0520516-RZ	14	29
A3187-010-000	18	30	RE-0400000-K0	14	55	SM-5040855-SN	4	12	WP-0520516-RZ	18	15
A3205-555-A00	2	15	RE-0400000-K0	18	14	SM-5040855-SN	4	18	WP-0520516-RZ	18	58
A3205-555-A00	14	77	RE-0400000-K0	18	20	SM-5040855-SN	4	22	WP-0620516-RZ	16	32
A3233-731-000	4	31	RE-0400000-K0	18	31	SM-5040855-SN	4	39	WP-0620516-RZ	16	45
A3234-550-000	4	29	RE-0400000-K0	18	53	SM-5040855-SN	4	41	WP-0621016-SD	14	80
A3235-030-Z00-A	4	30	RE-0400000-K0	18	57	SM-5040855-SN	8	35	WP-1021016-SD	14	50
A3236-880-000	4	32	RE-0400000-K0	18	67	SM-5040855-SN	10	32	WZ-0320290-UZ	10	20
A3237-880-000	4	33	RE-0400000-K0	22	4	SM-5040855-SN	12	10	WZ-1052010-KP	14	49
A3711-010-000-A	2	13	RE-0400000-K0	24	5	SM-5040855-SN	12	37			
A3711-010-000-A	18	37	RE-0400000-K0	24	11	SM-5040855-SN	12	39	1141000000	16	47
A3811-550-000	4	40	RE-0500000-K0	14	74	SM-5040855-SN	14	44	1141000000	26	6
A3811-550-000	24	20	RE-0500000-K0	14	78	SM-5040855-SN	14	47	123010006074	12	25
A3910-634-000-B	20	3	RE-0500000-K0	18	68	SM-5040855-SN	16	14	174803004000	20	43
A3922-980-000	4	54	RE-0600000-K0	8	25	SM-5040855-SN	16	36	174804008000	14	25
A4078-550-00B	24	27	RE-0700000-K0	14	17	SM-5040855-SN	16	44			
A4078-550-00B	24	33	RE-0700000-K0	16	3	SM-5040855-SN	18	42	21112002000	16	49
A9101-550-000	26	1	RE-0800000-K0	8	11	SM-5040855-SN	18	59			
A9103-880-000	29	3	RE-0800000-K0	8	15	SM-5040855-SN	18	70	400-53454	16	38
A9110-700-000	26	4	RE-0800000-K0	14	48	SM-5040855-SN	20	19	400-53456	16	13
A9133-010-0A0	29	1	RO-1331701-00	8	7	SM-5040855-SN	20	38	400-53469	8	9
A9134-550-000	29	16				SM-5040855-SN	22	12	400-53469	8	13
A9181-008-000	28	7	SL-4030591-SC	20	56	SM-5040855-SN	24	1	400-53469	8	17
			SL-4030691-SC	4	14	SM-5041055-SN	24	15	400-53472	24	10
CM-3002000-01	20	20	SL-4030691-SC	12	35	SM-5041455-SN	8	31	400-53474	24	23
			SL-4030691-SC	18	28	SM-5041455-SN	14	42	400-53475	24	19
E8760-452-B00	22	20	SL-4030691-SC	18	33	SM-8030312-TP	8	10	400-53479	8	32
E8760-452-F00	24	28	SL-4030691-SC	18	49	SM-8030312-TP	8	14	400-53484	8	2
			SL-4030891-SC	4	10	SM-8030312-TP	8	18	400-53485	2	1
HA-0042000-00	22	16	SL-4030891-SC	12	46	SM-8030312-TP	10	10	400-53486	8	16
			SL-4030891-SC	18	5	SM-8030312-TP	10	21	400-53487	8	19
J0231-010-A0F	28	10	SL-4031091-SC	12	28	SM-8030312-TP	10	35	400-53490	10	5
J0231-082-A00	28	13	SL-4032081-SC	20	17	SM-8030312-TP	12	43	400-53491	10	6
J0233-500-A00	28	8	SL-4032591-SC	22	6	SM-8030312-TP	14	58	400-53493	8	6
J0240-082-A00	28	12	SL-4040691-SC	10	29	SM-8030312-TP	18	2	400-53495	16	8
			SL-4051485-SE	24	13	SM-8030312-TP	18	47	400-53496	10	17
MHA-100B1400	10	16	SL-5030531-SF	12	11	SM-8030312-TP	18	51	400-53497	10	18
			SL-5030531-SF	18	55	SM-8030312-TP	22	2	400-53499	12	44
NM-6030002-SF	18	4	SL-5040835-SN	20	51	SM-8030612-TP	14	11	400-53505	12	47

NUMERICAL INDEX OF PARTS

PART NO	PAGE	REF NO	PART NO	PAGE	REF NO	PART NO	PAGE	REF NO	PART NO	PAGE	REF NO
400-53506	12	33	400-55528	14	72	400-64704	20	31	401-07439	4	11
400-53516	10	26	400-55530	14	57	400-64997	16	37	401-07442	20	55
400-53517	10	27	400-55531	14	60	400-65631	6	5	401-07448	4	13
400-53520	20	1	400-55532	14	61	400-65716	24	2	401-07451	4	19
400-53525	20	7	400-55533	14	62	400-65718	18	3	401-07452	4	21
400-53526	20	10	400-55539	14	67	400-65720	22	15	401-07455	4	5
400-53528	20	26	400-55557	12	7	400-66024	24	8	401-07458	4	4
400-53532	20	12	400-55561	20	39	400-66041	22	18	401-07467	26	8
400-53580	18	1	400-55676	12	49	400-66124	20	4	401-07476	12	4
400-53581	18	6	400-55796	18	69	400-66193	20	46	401-07480	4	38
400-53583	18	8	400-55811	10	12	400-66195	20	45	401-07481	24	26
400-53584	18	52	400-55819	10	9	400-66198	12	34	401-07483	26	15
400-53585	18	50	400-55825	8	8	400-66231	12	32	401-07566	2	28
400-53586	18	9	400-55826	16	10	400-66691	14	54	401-07567	2	29
400-53587	18	11	400-55827	10	15	400-67261	18	46	401-07577	4	45
400-53588	18	43	400-55830	24	9	400-67671	18	48	401-07581	4	44
400-53592	18	12	400-56010	14	38	400-69623	4	9	401-07585	4	6
400-53598	18	13	400-56529	12	24	400-70284	4	16	401-07588	20	11
400-53602	18	16	400-56541	24	17	400-70286	20	41	401-07594	4	48
400-53603	18	19	400-56542	24	18	400-70288	12	42	401-07595	4	47
400-53604	18	29	400-56544	20	49	400-71728	10	37	401-07596	4	46
400-53608	18	27	400-56548	4	42	400-71969	14	35	401-07598	4	7
400-53609	18	38	400-56552	24	25	400-71970	14	6	401-07599	4	8
400-53610	18	18	400-56554	4	17	400-71971	14	7	401-07600	4	36
400-53611	18	24	400-56556	18	44	400-71972	14	8	401-07601	6	17
400-53612	18	21	400-56557	12	40	400-71973	14	9	401-07604	6	14
400-53616	18	25	400-56558	14	56	400-72395	2	14	401-07606	10	3
400-53617	18	36	400-56564	18	54	400-73193	24	29	401-07608	6	13
400-53621	18	34	400-56604	16	12	400-73194	22	21	401-07610	22	19
400-53624	18	32	400-56861	8	33	400-75482	26	12	401-07612	10	14
400-53628	18	66	400-56861	24	4	400-75804	26	7	401-07614	12	17
400-53632	18	64	400-56945	10	36	400-76145	22	9	401-07895	2	3
400-53636	18	65	400-56969	12	8	400-76508	16	43	401-07898	2	10
400-53637	18	63	400-56970	10	23	400-78681	18	39	401-07899	2	20
400-53640	18	60	400-56975	16	39	400-78685	18	73	401-07900	4	55
400-53641	18	56	400-56976	16	40	400-78686	18	71	401-07901	8	1
400-53677	22	5	400-57187	8	20	400-78690	18	74	401-07902	10	19
400-53683	2	30	400-57188	8	21	400-79312	29	18	401-07903	10	30
400-53685	2	25	400-57189	8	22	400-79424	16	23	401-07904	10	33
400-53686	2	27	400-57190	8	23	400-79614	16	16	401-07905	10	38
400-55371	20	8	400-57194	8	24	400-80780	28	11	401-07906	10	4
400-55376	20	57	400-57334	14	76	400-80802	26	13	401-07907	12	36
400-55377	20	15	400-57335	14	52	400-80949	29	13	401-07908	12	38
400-55378	20	16	400-57384	8	28	400-80950	29	7	401-07913	12	12
400-55383	20	32	400-57922	2	17	400-80951	29	14	401-07914	14	10
400-55384	20	33	400-57922	24	6	400-80952	29	9	401-07915	14	16
400-55385	20	48	400-57923	12	26	400-80953	29	6	401-07916	14	21
400-55387	12	2	400-57951	24	3	400-80954	29	11	401-07917	14	26
400-55391	12	1	400-57960	24	14	400-80955	29	15	401-07918	14	28
400-55395	12	5	400-57974	20	28	400-80956	29	8	401-07919	14	33
400-55396	20	52	400-57983	8	12	400-80957	29	12	401-07921	14	43
400-55397	20	53	400-57990	2	16	400-80958	29	4	401-07924	14	59
400-55398	20	54	400-57991	2	22	400-80959	29	22	401-07929	16	1
400-55400	20	40	400-58088	4	23	400-80962	29	20	401-07930	20	58
400-55401	4	15	400-58626	16	17	400-80963	29	17	401-07931	20	30
400-55402	12	13	400-59167	4	43	400-80964	29	5	401-07932	24	24
400-55403	12	14	400-59249	2	4	400-80965	29	21	401-08204	4	20
400-55406	12	19	400-60607	14	37	400-80968	29	10	401-08206	4	52
400-55420	20	34	400-60608	16	18	400-80969	29	19	401-08208	4	50
400-55496	14	1	400-61618	12	22	400-81293	16	15	401-08210	4	53
400-55499	14	3	400-61796	22	11	400-88328	24	16	401-08212	4	51
400-55501	14	32	400-62034	4	28	400-90036	24	30	401-08218	10	13
400-55502	14	27	400-62044	20	22	400-90758	28	5	401-08219	12	18
400-55504	14	4	400-62047	20	23	400-90758	28	6	401-08225	28	1
400-55505	14	15	400-62048	20	24	400-97677	22	13	401-08226	28	2
400-55507	14	22	400-62143	24	7	400-97679	22	3	401-08227	28	3
400-55513	14	20	400-62144	12	29	400-97680	22	7	401-08228	28	4
400-55517	14	39	400-62407	10	31	400-97681	22	14	401-08229	28	9
400-55519	14	46	400-62500	2	8	400-99886	16	6	401-08574	10	2
400-55520	14	45	400-62518	8	27	401-04568	4	56	401-08579	10	1
400-55521	14	79	400-64224	12	23	401-05360	4	37	401-10162	26	3
400-55522	14	53	400-64571	2	31	401-05670	4	2	401-10163	26	2
400-55524	14	51	400-64572	4	27	401-07428	2	12	401-10165	26	14
400-55526	14	70	400-64573	20	21	401-07431	4	1	401-10417	6	11
400-55527	14	71	400-64702	6	4	401-07435	2	23	401-11092	26	9

NUMERICAL INDEX OF PARTS

PART NO	PAGE	REF NO	PART NO	PAGE	REF NO	PART NO	PAGE	REF NO	PART NO	PAGE	REF NO
401-11093	26	10									
401-11151	6	1									
401-11392	26	5									
401-11549	6	2									
401-12878	20	9									
401-12904	29	2									
401-13403	26	11									
41207008000	16	48									

JUKI CORPORATION

SEWING MACHINERY BUSINESS UNIT
2-11-1, TSURUMAKI, TAMA-SHI,
TOKYO, 206-8551, JAPAN

PHONE:(81)42-357-2371
FAX:(81)42-357-2380

Copyright© 2011 JUKI CORP.
All rights reserved throughout the world.

Printed in Japan