

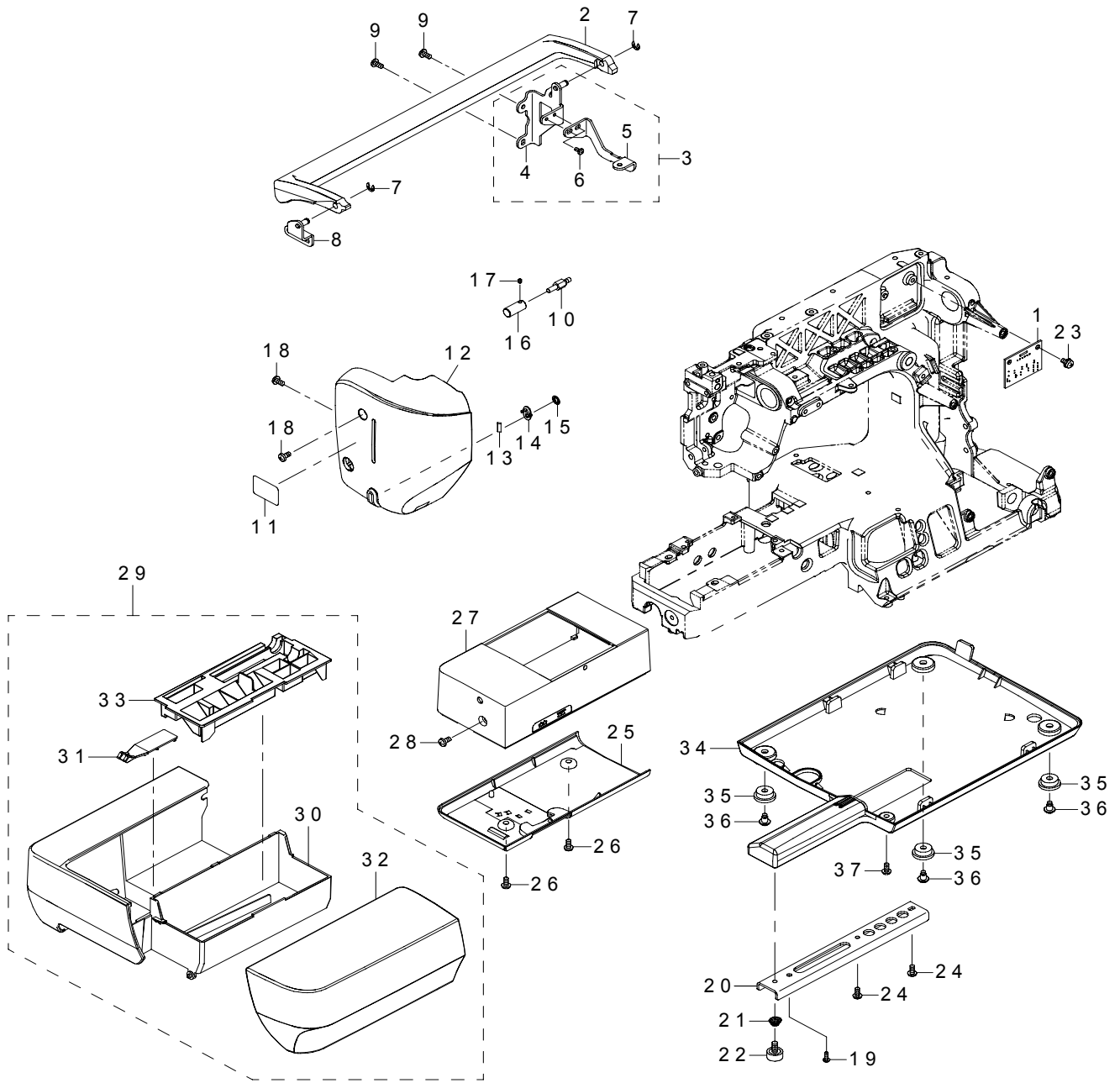
COMPUTER SEWING MACHINE
HZL-F Series

PARTS LIST

CONTENTS

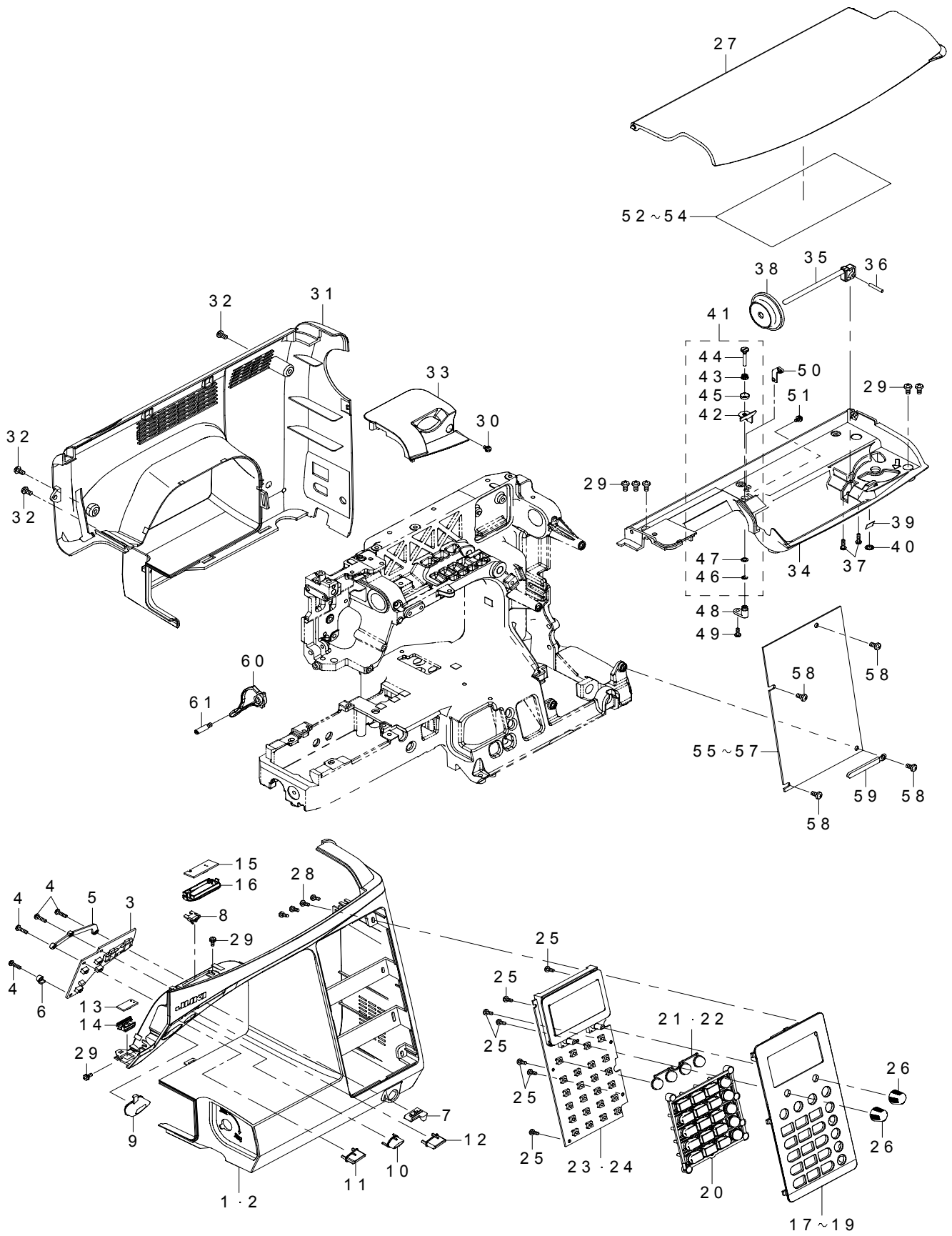
1. FRAME MISCELLANEOUS COVER COMPONENTS (1).....	1
2. FRAME MISCELLANEOUS COVER COMPONENTS (2).....	3
3. THROAT PLATE COMPONENTS.....	5
4. UPPER SHAFT & TAKE UP COMPONENTS.....	7
5. NEEDLE BAR & NEEDLE THREADER COMPONENTS.....	9
6. PRESSER MECHANISM & NEEDLE THROWING COMPONENTS.....	11
7. FEED MECHANISM COMPONENTS.....	13
8. LOWER SHAFT & HOOK COMPONENTS.....	15
9. THREAD TRIMMER COMPONENTS.....	17
10. THREAD TENSION COMPONENTS.....	19
11. BOBBIN WINDER COMPONENTS.....	21
12. KNEE LIFTER COMPONENTS.....	23
13. POWER SUPPLY & MAIN MOTOR COMPONENTS.....	25
14. ACCESSORIE PARTS COMPONENTS.....	27
15. PACKING MATERIAL COMPONENTS.....	29
16. OPTIONAL ACCESSORY PARTS COMPONENTS.....	31

1. FRAME MISCELLANEOUS COVER COMPONENTS (1)



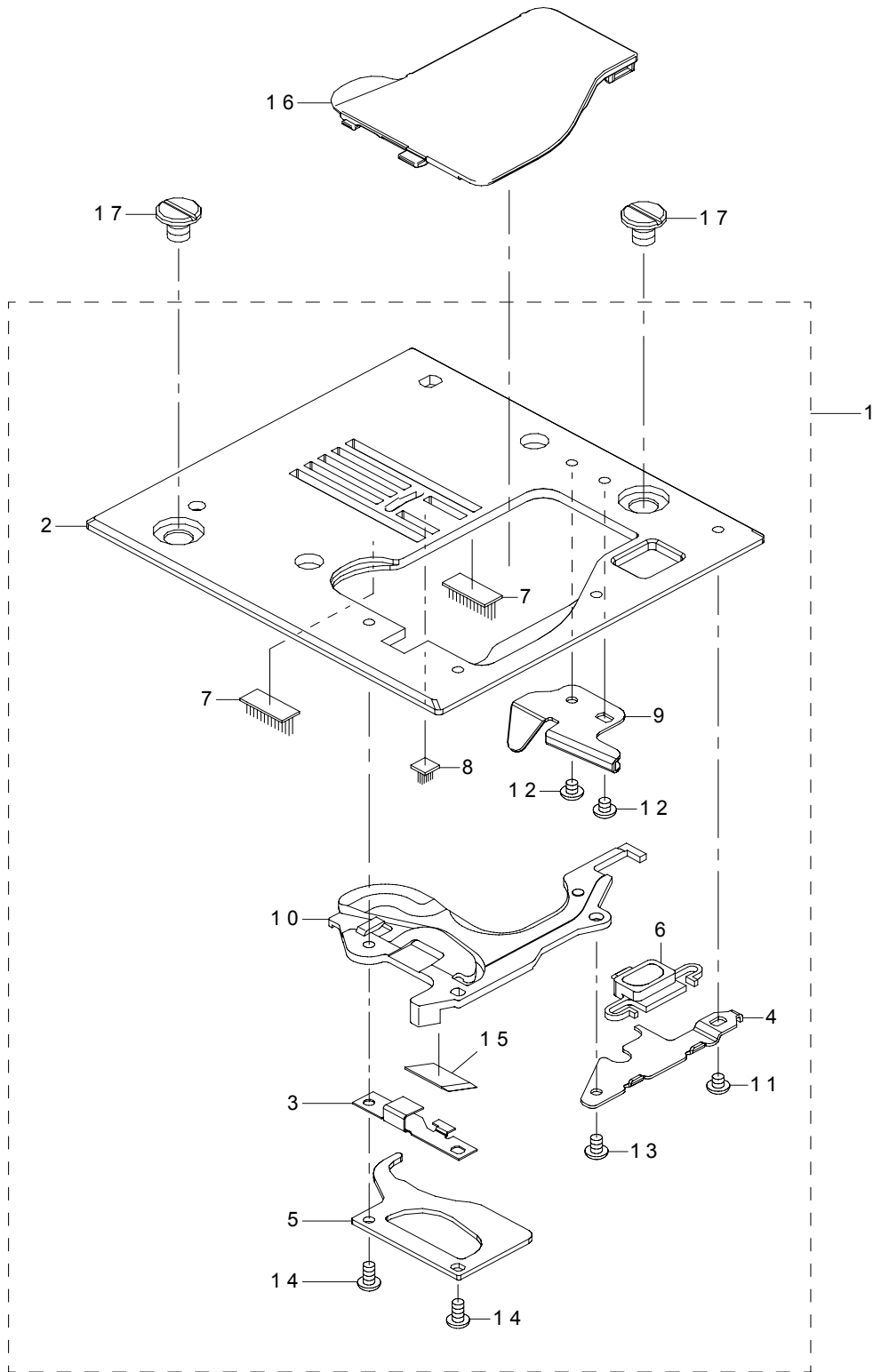
REF.NO	NOTE	PART NO	DESCRIPTION	Qty
1		400-56554	ASSY_SYNC_CIRCUIT_BOARD	1
2		400-59249	HANDLE	1
3		400-66232	ASSY_HANDLE_BRACKET	1
4		400-58092	HANDLE_BRACKET_ASSY	(1)
5		400-62587	COVER_BRACKET	(1)
6		SM-5030655-SN	SCREW M3X0.5 L=6	(2)
7		RE-0400000-K0	E-RING 4	2
8		400-62500	HANDLE_BRACKET_L_ASSY	1
9		SM-5040855-SN	SCREW	2
10		400-65563	FACE_COVER_GUIDE_SHAFT	1
11		400-84532	BH SOCKET CAUTION LABEL	1
12		400-59230	FACE_COVER	1
13		A3711-010-000-A	TOP THREADING CUTTER	1
14		400-72395	CUTTER HOLDER	1
15		A3205-555-A00	LOCKNUT	1
16		400-70239	FACE_COVER_COLLAR	1
17		SM-8030312-TP	SCREW M3 L=3	1
18		SM-5040855-SN	SCREW	2
19		ST-5030851-SN	SCREW M5X8	1
20		400-57949	BED_REINFORCING_PLATE	1
21		A1159-770-000	HEIGHT ADJUSTING SPRING	1
22		400-57991	HEIGHT_ADJUSTING_RUBBER	1
23		SL-4040891-SC	SCREW M4 L=8	1
24		SM-5040855-SN	SCREW	2
25		400-53685	FREE_ARM_LOWER_COVER	1
26		SM-5040855-SN	SCREW	2
27		400-53686	FREE_ARM_UPPER_COVER	1
28		SM-5040855-SN	SCREW	1
29		400-60614	ASSY_AUXILIARY_BED	1
30		400-53683	AUXILIARY_BED	(1)
31		400-64571	AUXILIARY_BED_CLICK	(1)
32		400-53684	AUXILIARY_BED_COVER	(1)
33		400-59209	ACCESSORY_TRAY	(1)
34		400-59215	BED_COVER_DOMESTIC	1
35		400-57990	RUBBER_WASHER	3
36		400-57922	RUBBER_WASHER_SCREW	3
37		SM-5040855-SN	SCREW	1

2. FRAME MISCELLANEOUS COVER COMPONENTS (2)



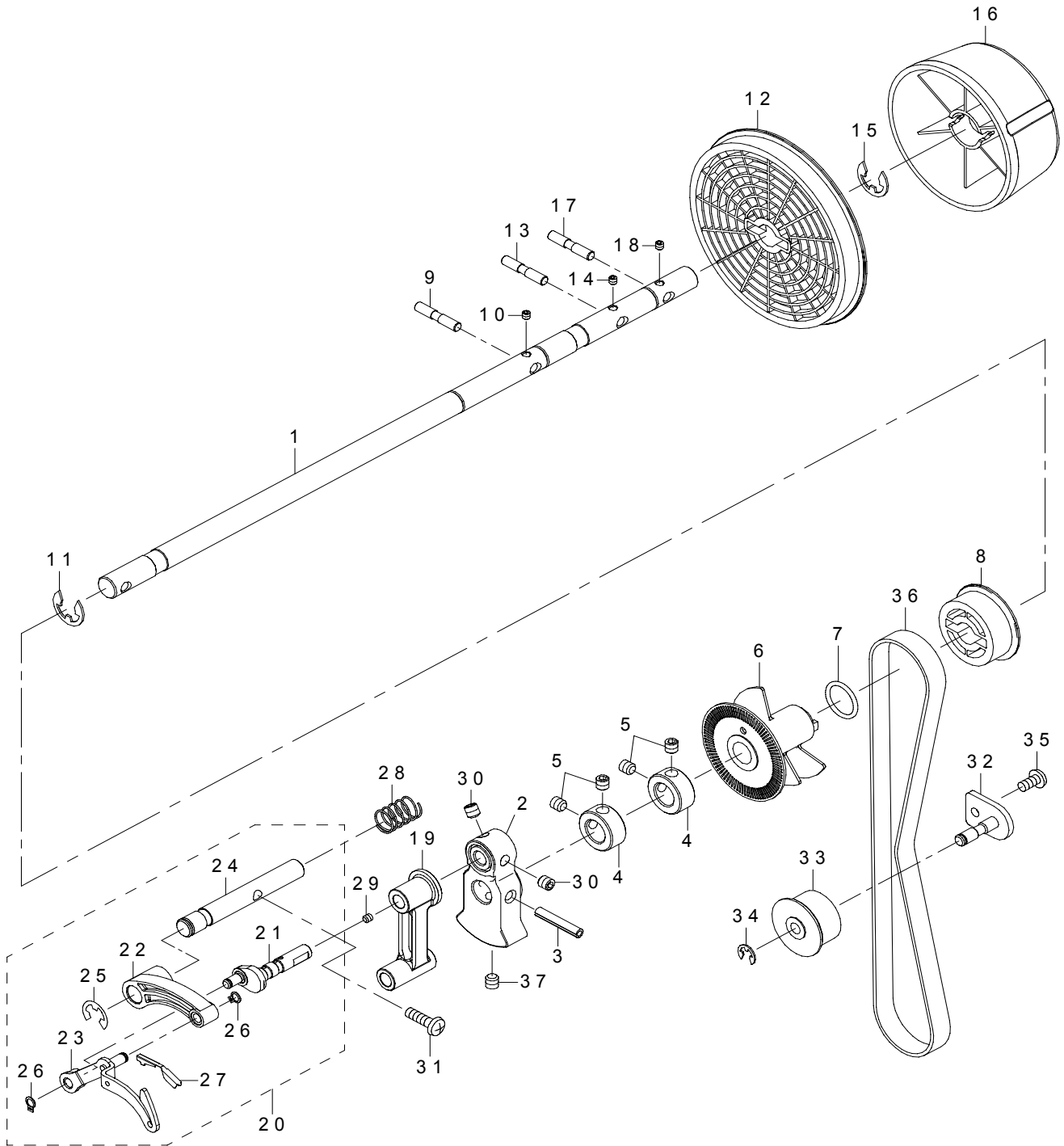
REF.NO	NOTE	PART NO	DESCRIPTION	Qty
1	#01	400-59216	FRONT_PANEL_F600	1
2	#04	400-59217	FRONT_PANEL_F400	1
3		400-56545	ASSY_SW/VR_CIRCUIT_BOARD	1
4		ST-5031251-SS	SCREW	4
5		400-69735	CIRCUIT_BOAD_COLLAR_A	1
6		400-69736	CIRCUIT_BOAD_COLLAR_B	1
7		400-59160	SLIDE_VR	1
8		400-69623	SLIDE_VR_CONNECT_PART	1
9		400-59161	SS_BUTTON	1
10		400-59163	REVERSE_BUTTON	1
11		400-59165	THREAD_TRIMMER_BUTTON	1
12		400-59166	HALF_STITCH_BUTTON	1
13		400-56548	ASSY_ON_HAND_LED_CIRCUIT_BOARD	1
14		400-59167	LED_LAMP_COVER_R	1
15	#01	400-56550	ASSY_BOSOM_LED_CIRCUIT_BOARD	1
16	#01	400-59168	BOSM_LED_COVER	1
17	#01	400-72508	PATTERN_PANEL_F600_ASSY	1
18	#02	400-72509	PATTERN_PANEL_F400_ASSY	1
19	#03	400-72510	PATTERN_PANEL_F300_ASSY	1
20		400-59183	DIRECT_BUTTON_F600	1
21		400-59192	SHIFT_BUTTON_F600	1
22	#04	400-59193	SHIFT_BUTTON_F400	1
23	#01	400-56537	ASSY_PANEL_CIRCUIT_BOARD	1
24	#04	400-58655	ASSY_PANEL_CIRCUIT_BOARD	1
25		ST-5030851-SN	SCREW M5X8	7
26	#01	400-84595	ADJUSTING_DIAL	2
27		400-59244	ARM_COVER_MATERIAL	1
28		ST-5031051-SN	TAPPING SCREW	4
29		SM-5040855-SN	SCREW	5
30		SL-4030691-SC	SCREW M3X6	1
31		400-59232	REAR_PANEL_FOREIGN	1
32		SM-5040855-SN	SCREW	3
33		400-59245	TT_COVER_FOREIGN	1
34		400-59240	SPOOL_COVER	1
35		400-58088	SPOOL_PIN	1
36		PH-0300182-C0	PARALLEL PIN	1
37		ST-5031051-SN	TAPPING SCREW	2
38		A1145-E50-000	SPOOL CAP	1
39		A3711-010-000-A	TOP THREADING CUTTER	1
40		A3205-555-A00	LOCKNUT	(1)
41		400-64572	ASSY_THREAD_GUIDE_BASE	(1)
42		400-62034	THREAD_GUIDE_BASE	(1)
43		A3234-550-000	THREAD_GUIDE_BASE_SPRING	(1)
44		A3235-030-Z00-A	THREAD_GUIDE_DISK_SHAFT	(1)
45		A3233-731-000	THREAD_GUIDE_DISK	(1)
46		A3236-880-000	E_RING	(1)
47		A3237-880-000	WASHER	(1)
48		A1139-030-Z00	THREAD_GUIDE_MOUNTING_PLATE	1
49		ST-5030851-SN	SCREW M5X8	1
50		400-57397	BW_THREAD_GUIDE	1
51		SL-4030691-SC	SCREW M3X6	1
52	#01	400-71975	PATTERN_SEAL_F600	1
53	#02	400-71977	PATTERN_SEAL_F400	1
54	#03	400-71979	PATTERN_SEAL_F300	1
55	#01	400-73045	ALL_ASSY_CPU_PCB_F600	1
56	#02	400-73046	ALL_ASSY_CPU_PCB_F400	1
57	#03	400-73047	ALL_ASSY_CPU_PCB_F300	1
58		SM-5040855-SN	SCREW	4
59		A3811-550-000	CORD HOLDER	1
60		400-55401	LIFTER_LEVER	1
61		400-70284	LIFTER_LEVER_SHAFT	1
		NOTE	#01....FOR HZL-F600 #02....FOR HZL-F400 #03....FOR HZL-F300 #04....FOR HZL-F400,HZL-F300	

3. THROAT PLATE COMPONENTS



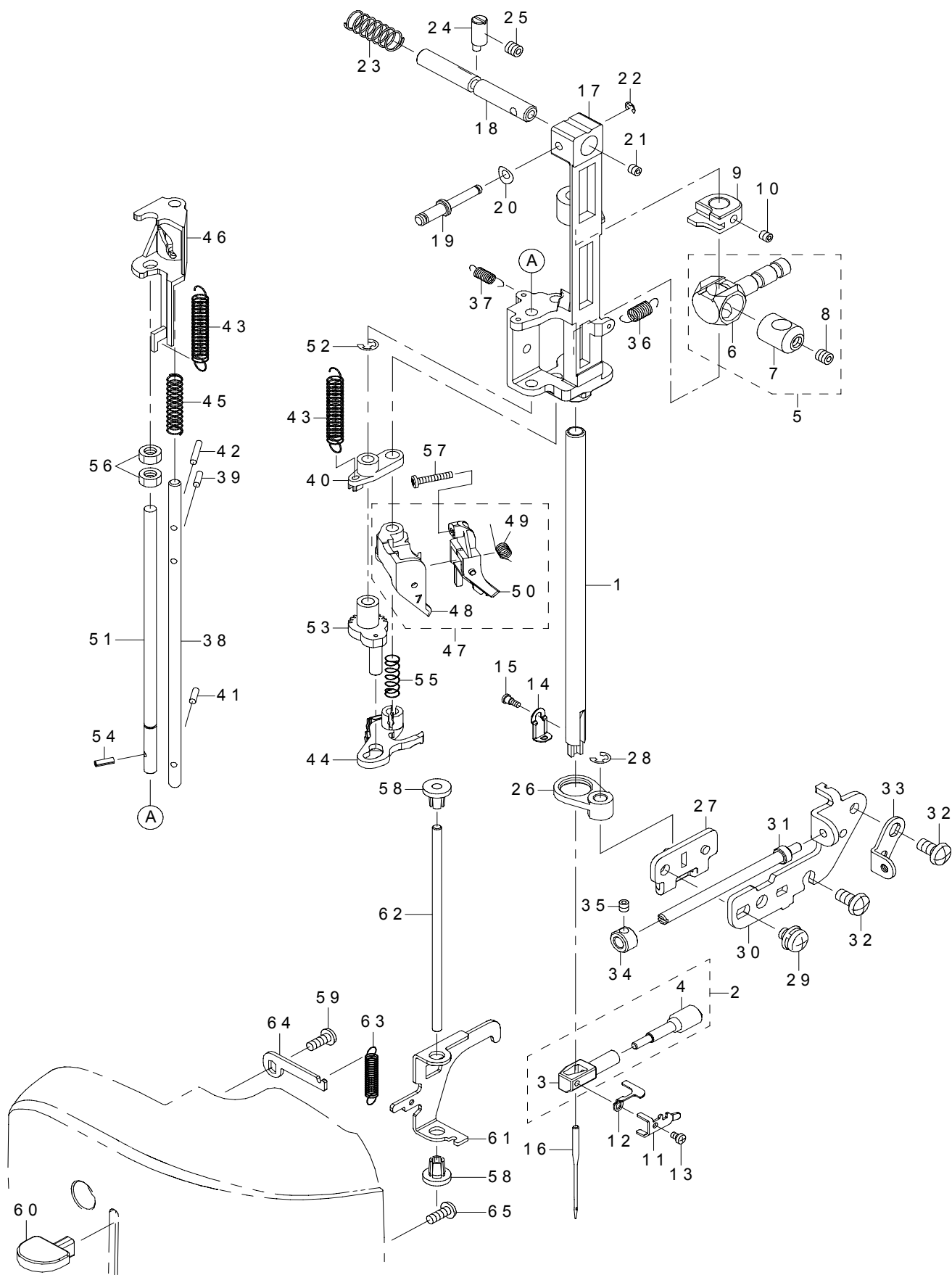
REF.NO	NOTE	PART NO	DESCRIPTION	Qty
1		400-79367	THROAT_PLATE ASM.	1
2		400-53462	THROAT_PLATE	(1)
3		A1111-A85-000	SPRING	(1)
4		A1119-010-000	HOOK COVER BUTTON SUPPORT	(1)
5		400-57150	STOPPING_PLATE_LEFT	(1)
6		A1114-010-000-A	HOOK COVER OPEN/CLOSE BUTTON	(1)
7		A1117-008-000	NEEDLE PLATE PILE A	(2)
8		400-64702	THROAT_PLATE_PILE_B	(1)
9		400-65631	HOOK_COVER_SUPPORT_PLATE	(1)
10		A1115-A85-000	BOBBIN CASE COVER	(1)
11		SM-4020201-SC	SCREW M2 L=2	(1)
12		SM-4020201-SC	SCREW M2 L=2	(2)
13		SM-4020301-SC	SCREW M2X0.4 L=3	(1)
14		SM-4020501-SC	SCREW M2 L=5	(2)
15		A3711-010-000-A	TOP THREADING CUTTER	(1)
16		400-64685	HOOK_COVER	1
17		A1138-776-000	SCREW	2

4. UPPER SHAFT & TAKE UP COMPONENTS



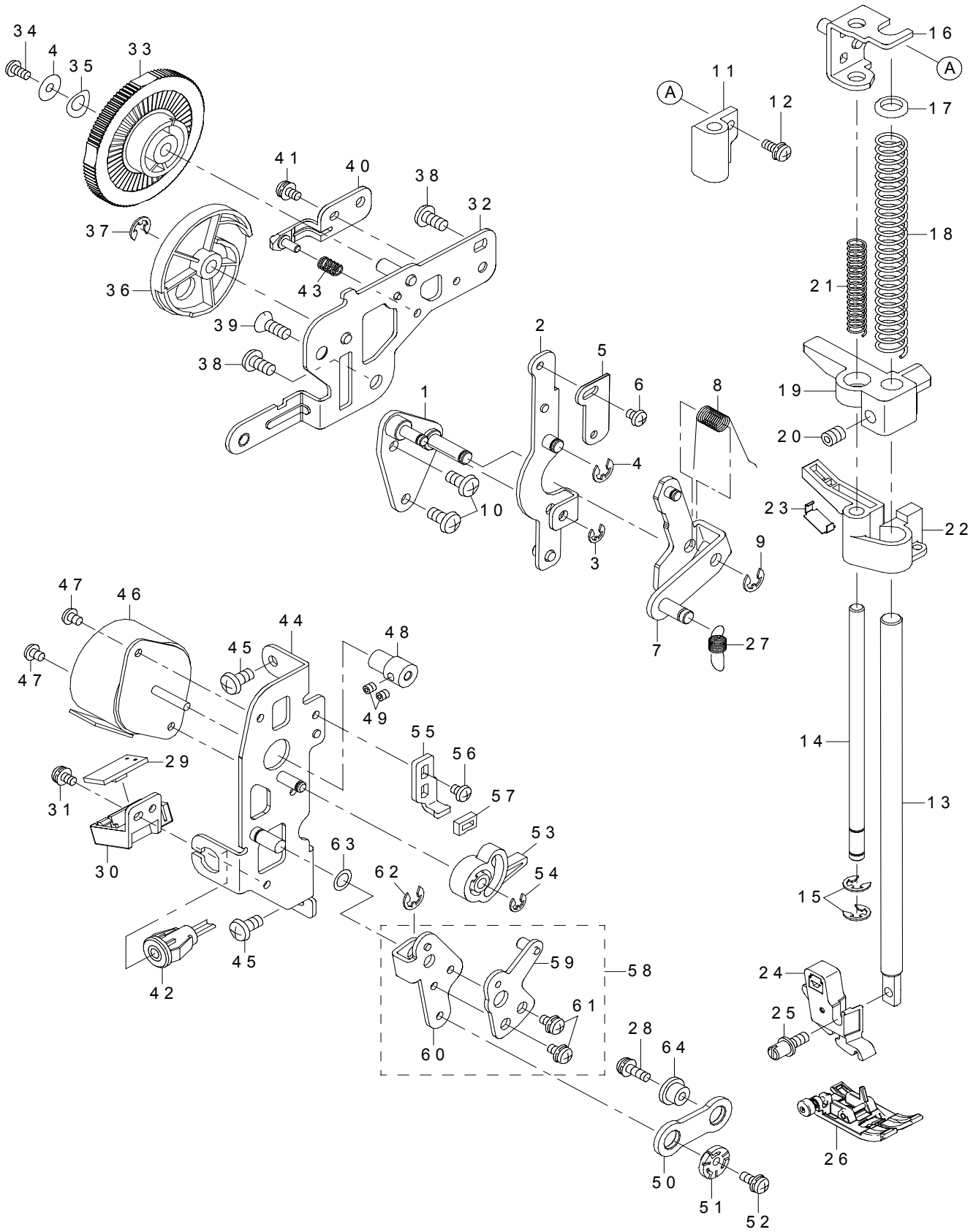
REF.NO	NOTE	PART NO	DESCRIPTION	Qty
1		400-53483	UPPER_SHAFT	1
2		400-53484	COUNTER_WEIGHT	1
3		PS-0400222-KP	SPRING_PIN	1
4		CS-1000881-TP	THRUST_COLLAR	2
5		SM-8050512-TN	SCREW M5 L=5	4
6		400-53493	DETECTOR_SHIELD_PLATE	1
7		RO-1331701-00	RUBBER_RING	1
8		400-55825	UPPER_SHAFT_PULLEY	1
9		400-53469	MOTOR_PULLEY_PIN	1
10		SM-8030312-TP	SCREW M3 L=3	1
11		RE-0800000-K0	E-SHAPED SNAP RING (8MM)	1
12		400-57983	MOTOR_PULLEY	1
13		400-53469	MOTOR_PULLEY_PIN	1
14		SM-8030312-TP	SCREW M3 L=3	1
15		RE-0800000-K0	E-SHAPED SNAP RING (8MM)	1
16		400-53486	HAND_WHEEL	1
17		400-53469	MOTOR_PULLEY_PIN	1
18		SM-8030312-TP	SCREW M3 L=3	1
19		400-53487	NEEDLE_BAR_CRANK_ROD	1
20		400-57187	TAKE_UP_ASSY	1
21		400-57188	NEEDLE_BAR_CRANK	(1)
22		400-57189	TAKE_UP_CRANK	(1)
23		400-57190	TAKE_UP_BODY_ASSY	(1)
24		400-57194	TAKE_UP_SUPPORT_SHAFT	(1)
25		RE-0600000-K0	E-RING 6	(1)
26		RC-0370411-KP	RETAINING_RING	(2)
27		400-62518	TAKE_UP_CLICK	(1)
28		400-57355	SUPPORT_SHAFT_SPRING	1
29		SM-8030312-TP	SCREW M3 L=3	1
30		SM-8050512-TN	SCREW M5 L=5	2
31		SM-5041455-SN	SCREW	1
32		400-53479	IDLER_BRACKET_ASSY	1
33		400-56861	IDLER	1
34		RE-0400000-K0	E-RING 4	1
35		SM-5040855-SN	SCREW	1
36		400-57384	TIMING_BELT	1
37		SM-8050512-TN	SCREW M5 L=5	1

5. NEEDLE BAR & NEEDLE THREADER COMPONENTS



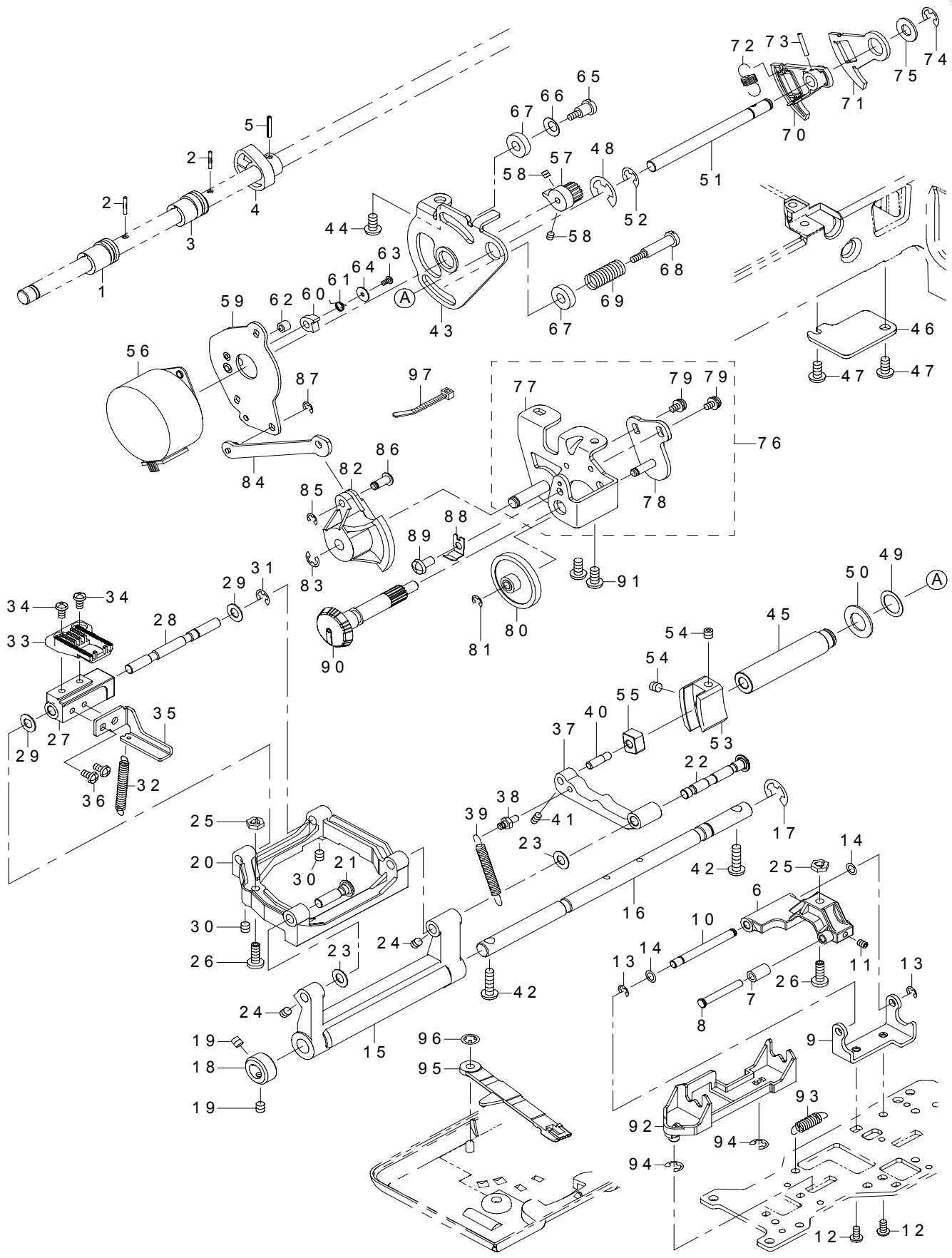
REF.NO	NOTE	PART NO	DESCRIPTION	Qty
1		400-53488	NEEDLE BAR	1
2		400-57275	ASSY_NEEDLE_CLAMP	1
3		400-57276	NEEDLE_CLAMP	(1)
4		400-57277	NEEDLE_CLAMP_SCREW	(1)
5		400-53490	ASSY_NEEDLE_BAR_CONNECTION	1
6		400-53491	NEEDLE_BAR_CONNECTION	(1)
7		A1412-010-000	NEEDLE_BAR_CONNECTION INNER	(1)
8		SM-8040412-TP	SET SCREW M4 L=4	(1)
9		400-55819	TP_NEEDLE_BAR_GUIDE	1
10		SM-8030312-TP	SCREW M3 L=3	1
11		400-71968	NEEDLE_CLAMP_THREAD_GUIDE	1
12		400-64214	NEEDLE_CLAMP_THREAD_GUIDE_U	1
13		400-79281	THREAD_GUIDE_SCREW	1
14		400-62545	MIS_INSERT_P_PLATE	1
15		A1450-010-000	SCREW	1
16		MHA-100B1400	NEEDLE 130/705H #90	1
17		400-53496	NEEDLE_BAR_FRAME	1
18		400-53497	NEEDLE_BAR_FRAME_SHAFT	1
19		400-53498	NB_FRAME_FULCRUM_SHAFT	1
20		WZ-0320290-UZ	WASHER 3.2X6.5X0.15	1
21		SM-8030312-TP	SCREW M3 L=3	1
22		RE-0200000-K0	E-RING	1
23		400-56970	NB_FRAME_SHAFT_SPRING	1
24		A1427-010-000-A	NB_FRAME_ADJUST_SHAFT	1
25		SM-8040412-TP	SET SCREW M4 L=4	1
26		400-53516	NB_FRAME_CONTROL_ARM	1
27		400-53517	NB_LATERAL_ADJUST_PLATE_ASSY	1
28		RE-0300000-K0	E-RING 3	1
29		SL-4040691-SC	SCREW M4 L=6	1
30		400-55989	FACE_PLATE_FIXING_PLATE	1
31		400-62407	FACE_COVER_SHAFT	1
32		SM-5040855-SN	SCREW	2
33		400-55831	FRONT_PANEL_FIXING_PLATE	1
34		A1617-030-000	THRUST_COLLAR	1
35		SM-8030312-TP	SCREW M3 L=3	1
36		400-56945	NEEDLE_BAR_FRAME_SPRING	1
37		400-71728	NEEDLE_BAR_FRAME_SPRING_LOWER	1
38		400-51254	TP_SHAFT	1
39		A1458-A85-000	HOOK HOLDER PIN	1
40		400-51248	LINK_BASE	1
41		A1458-A85-000	TP_SHAFT_PIN_SMALL	1
42		400-55811	TP_SHAFT_PIN_LARGE	1
43		400-55812	TP_CAM_SPRING	2
44		400-55813	TP_HOOK HOLDER_ASSY	1
45		400-55827	TP_SHAFT_SPRING	1
46		400-51238	TP_CAM	1
47		400-60613	ASSY_ASSIST_HOOK	1
48		400-51237	ASSIST_HOOK	(1)
49		400-55828	CLIP_SPRING	(1)
50		400-51255	TENSION_CLIP	(1)
51		400-51253	GUIDE_SHAFT	1
52		RE-0300000-K0	E-RING 3	1
53		400-51243	DRIVING_GEAR	1
54		PS-0200062-KP	SPRING_PIN	1
55		400-62156	ASSIST_HOOK_SPRING	1
56		NM-6040002-SF	NUT M4	2
57		SM-5020855-SN	SCREW M2 L=8	1
58		400-79178	TP_LEVER_BUSH	2
59		ST-5030851-SN	SCREW M5X8	1
60		400-55821	TP_HANDLE	1
61		400-55820	TP_LEVER	1
62		400-55822	TP_LEVER_SHAFT	1
63		400-55823	TP_LEVER_SPRING	1
64		400-55824	TP_LEVER_SUPPORT	1
65		ST-5030851-SN	SCREW M5X8	1

6. PRESSER MECHANISM & NEEDLE THROWING COMPONENTS



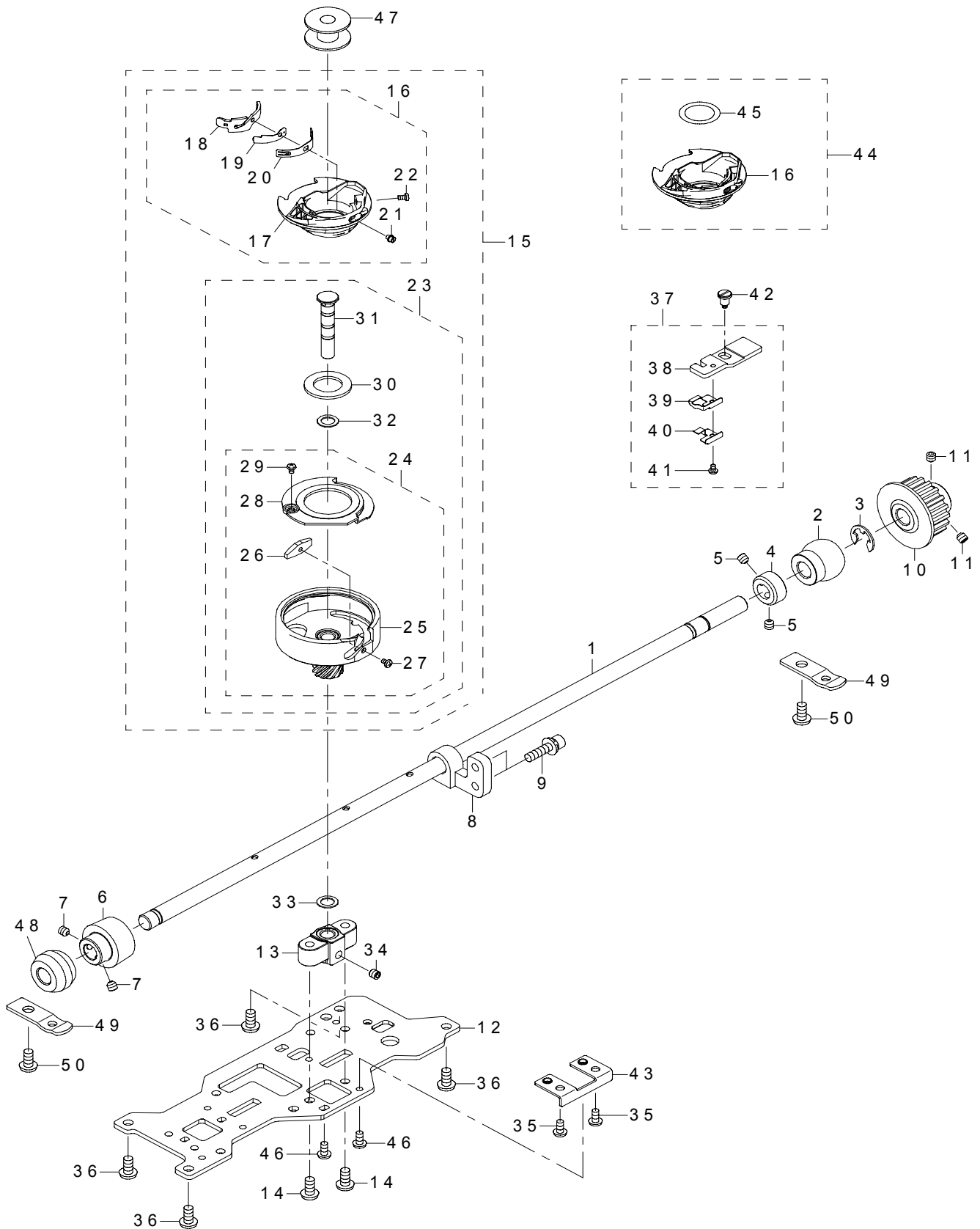
REF.NO	NOTE	PART NO	DESCRIPTION	Qty
1		400-55391	TENSION_RELEASE_BASE_ASSY	1
2		400-55387	TENSION_RELEASE_PLATE_ASSY	1
3		RE-0300000-K0	E-RING 3	1
4		WP-0330816-SF	WASHER	1
5		400-55395	TR_ADJUST_PLATE	1
6		SM-5030455-SN	SCREW	1
7		400-55557	KNEE_LIFTER_PLATE_ASSY	1
8		400-56969	KNEE_LIFTER_PLATE_SPRING	1
9		RE-0400000-K0	E-RING 4	1
10		SM-5040855-SN	SCREW	2
11		400-76391	SUB_SPRING HOLDER	1
12		SL-4030891-SC	SCREW M3X8	1
13		400-55402	PRESSER_BAR	1
14		400-55403	PF_GUIDE_BAR	1
15		RE-0400000-K0	E-RING 4	2
16		400-55409	PRESSER_ADJUST_PLATE_ASSY	1
17		400-55404	PRESSER_SPRING HOLDER	1
18		400-55405	PRESSER_SPRING	1
19		400-55406	PRESSER_BAR_GUIDE	1
20		SM-8050602-TP	SCREW M5 L=6	1
21		400-55412	PRESSER_SUB_SPRING	1
22		400-61618	PRESSER_BLOCK	1
23		400-64224	PRESSER_BLOCK_PLATE	1
24		400-56529	ASSY_PRESSER_FOOT HOLDER	1
25		400-64703	PF HOLDER SCREW	1
26		400-57923	ASSY_STANDARD_PRESSER_FOOT	1
27		400-55408	PRESSER_LEVER_SPRING	1
28		SL-4031091-SC	SCREW M3 X 10	1
29		400-56549	ASSY_ON_HAND_LED_CIRCUIT_BOARD	1
30		400-56368	LED_LAMP_COVER_L	1
31		SL-4030691-SC	SCREW M3X6	1
32		400-55426	PRESSER_ADJUST_BASE_ASSY	1
33		400-60527	PRESSER_ADJUST_DIAL	1
34		SM-5030655-SN	SCREW M3X0.5 L=6	1
35		A2110-700-000	SPRING WASHER	1
36		400-55433	PRESSER_ADJUST_GEAR	1
37		RE-0400000-K0	E-RING 4	1
38		SM-5040855-SN	SCREW	2
39		SM-1040801-SN	SCREW M4X0.7 L=8	1
40		400-79605	PRESSER_DIAL_CLICK	1
41		SL-4030691-SC	SCREW M3X6	1
42		400-56553	ASSY_BH_RELAY	1
43		400-79606	PRESSER_DIAL_CLICK_SPRING	1
44		400-53500	NT_STM_BASE_ASSY	1
45		SM-5040855-SN	SCREW	2
46		400-56557	ASSY_NT_STM	1
47		SM-5030455-SN	SCREW	2
48		400-70288	NT_STM_GEAR	1
49		SM-8030312-TP	SCREW M3 L=3	2
50		400-53499	ROCKING_ROD	1
51		A1456-008-000-A	LEAN CENTER SHAFT	1
52		SL-4030891-SC	SCREW M3X8	1
53		400-53505	NEEDLE_THROWING_GEAR	1
54		RE-0400000-K0	E-RING 4	1
55		400-55676	NT_STM_STOPPER	1
56		SM-5030455-SN	SCREW	1
57		A1646-010-000	RETRIEVAL RUBBER	1
58		400-66231	ASSY_NEEDLE_THROWING_ARM	1
59		400-53506	NEEDLE_THROWING_ARM_ASSY	(1)
60		400-66198	NEEDLE_THROWING_ADJUST_ARM	(1)
61		SL-4030691-SC	SCREW M3X6	(1)
62		RE-0400000-K0	E-RING 4	1
63		WP-0520516-RZ	WASHER	1
64		400-62144	ROCKING_ROD_BUSH	1

7. FEED MECHANISM COMPONENTS



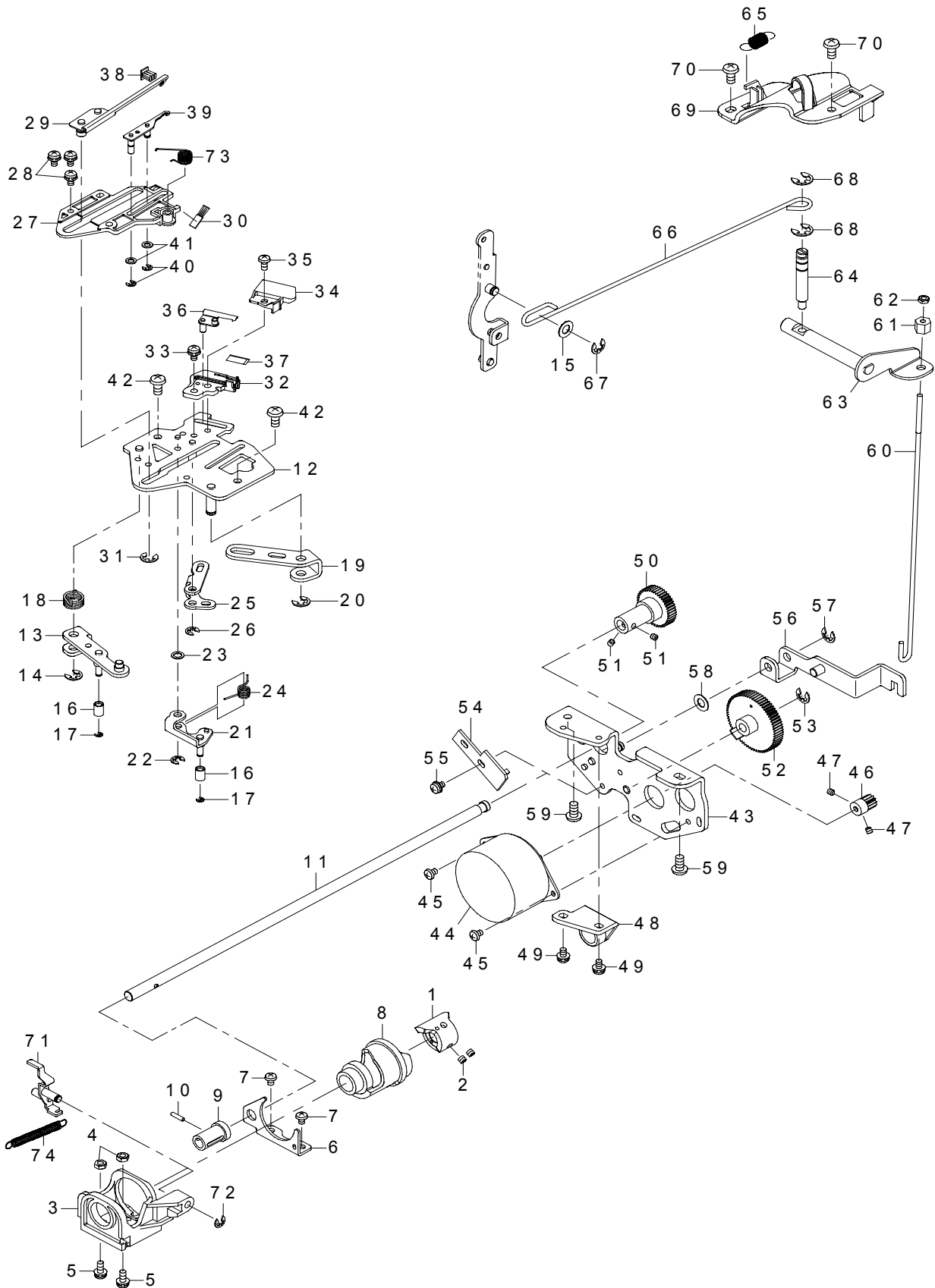
REF.NO	NOTE	PART NO	DESCRIPTION	Qty
1		400-55496	VERTICAL_FEED_CAM	1
2		400-55498	VF_CAM_STOP_PIN	2
3		400-55499	VF_ASSIST_CAM	1
4		400-55504	HORIZONTAL_FEED_CAM	1
5		PS-0200122-KP	SPRING PIN TYPE W 2X12	1
6		400-71970	CORRECTION_ARM	1
7		400-71971	CORRECTION_ROLLER	1
8		400-71972	CORRECTION_ROLLER_SHAFT	1
9		400-71973	CORRECTION_ARM_BASE	1
10		400-71974	CORRECTION_ARM_SHAFT	1
11		SM-8030412-TP	SCREW	1
12		SM-5030655-SN	SCREW M3X0.5 L=6	2
13		RE-0300000-K0	E-RING 3	2
14		WP-0410516-RZ	WASHER	2
15		400-55505	HF_ROCKER_ARM	1
16		400-55506	HF_ROCKER_ARM_SHAFT	1
17		RE-0700000-K0	E-RING 7	1
18		A1203-030-000	THRUST COLLAR	1
19		SM-8040412-TP	SET SCREW M4 L=4	2
20		400-55513	FEED_BAR	1
21		400-55508	FEED_BAR_SHAFT_L	1
22		400-55507	FEED_BAR_SHAFT_R	1
23		WP-0520516-RZ	WASHER	2
24		SM-8040412-TP	SET SCREW M4 L=4	2
25		174804008000	VF_ADJUST_SHAFT_NUT	2
26		400-55500	VF_ADJUST_SHAFT	2
27		400-55502	ASSIST_FEED_BAR	1
28		400-55503	ASSIST_FEED_BAR_SHAFT	1
29		WP-0520516-RZ	WASHER	2
30		SM-8040412-TP	SET SCREW M4 L=4	2
31		RE-0400000-K0	E-RING 4	1
32		400-55501	FEED_BAR_SPRING	1
33		400-55516	FEED_DOG	1
34		SM-5030655-SN	SCREW M3X0.5 L=6	2
35		400-71969	CORRECTION_PLATE	1
36		SM-5030655-SN	SCREW M3X0.5 L=6	2
37		400-60607	HORIZONTAL_FEED_ARM	1
38		400-56010	HF_ARM_SPRING_PIN	1
39		400-55517	HORIZONTAL_FEED_ARM_SPRING	1
40		A1624-010-000	SLIDE BLOCK SHAFT	1
41		SM-8030612-TP	SET SCREW	1
42		SM-5041455-SN	SCREW	2
43		400-55525	FEED_STM_FIXING_PLATE	1
44		SM-5040855-SN	SCREW	1
45		400-55520	FEED_REGULATOR_BUSHING	1
46		400-55519	FR_BUSHING_CLAMP_PLATE	1
47		SM-5040855-SN	SCREW	2
48		RE-0800000-K0	E-SHAPED SNAP RING (8MM)	1
49		WZ-1052010-KP	WAVED WASHER	1
50		WP-1021016-SD	WASHER	1
51		400-55521	FEED_REGULATOR_SHAFT	1
52		RE-0500000-K0	E-RING	1
53		400-55522	FEED_REGULATOR	1
54		SM-8040412-TP	SET SCREW M4 L=4	2
55		400-55524	FEED_REGULATOR_BLOCK	1
56		400-56558	ASSY_FD_STM	1
57		400-55530	FEED_STM_GEAR	1
58		SM-8030312-TP	SCREW M3 L=3	2
59		400-55534	FEED_ADJUSTING_PLATE_ASSY	1
60		400-55531	FEED_STOPPER_LEVER	1
61		400-55532	FEED_STOPPER_SPRING	1
62		400-55533	ORIGIN_DETECTING_RUBBER	1
63		SM-4020401-SC	SCREW M2 L=4	1
64		WP-0210516-SD	PLAIN WASHER 2.1X8X0.5	1
65		A1650-008-000-A	STAGE SCREW A	1
66		A2110-700-000	SPRING WASHER	1
67		400-55539	FEED_STM_WASHER	2
68		A1651-008-000	STAGE SCREW A	1
69		A1658-008-000	SPRING	1
70		400-55526	FEED_REGULATOR_GEAR_A	1
71		400-55527	FEED_REGULATOR_GEAR_B	1
72		400-55528	FR_GEAR_SPRING	1
73		PS-0200122-KP	SPRING PIN TYPE W 2X12	1
74		RE-0500000-K0	E-RING	1
75		WP-0621016-SD	WASHER 6.2X13X1	1
76		400-66230	ASSY_FEED_ADJUST_BASE_PLATE	1
77		400-55544	FEED_ADJUST_BASE_PLATE_ASSY	(1)
78		400-59862	INTERMEDIATE_GEAR_BASE_ASSY	(1)
79		SL-4030891-SC	SCREW M3X6	(2)
80		400-55549	FA_INTERMEDIATE_GEAR	1
81		RE-0300000-K0	E-RING 3	1
82		400-55548	FEED_ADJUST_GEAR	1
83		RE-0400000-K0	E-RING 4	1
84		400-55540	FEED_ADJUST_LINK_ASSY	1
85		RE-0300000-K0	E-RING 3	1
86		400-72885	FEED_ADJUST_LINK_PIN	1
87		RE-0300000-K0	E-RING 3	1
88		A1654-008-000	PLATE SPRING	1
89		SM-5040855-SN	SCREW	1
90		400-55550	FEED_ADJUST_DIAL	1
91		SM-5040855-SN	SCREW	2
92		400-57335	DF_WORKING_BODY	1
93		400-66691	DF_RETURN_SPRING	1
94		RE-0400000-K0	E-RING 4	2
95		400-57334	DF_LEVER	1
96		A3205-555-A00	LOCKNUT	1
97		A4078-550-00B	BAND	1

8. LOWER SHAFT & HOOK COMPONENTS



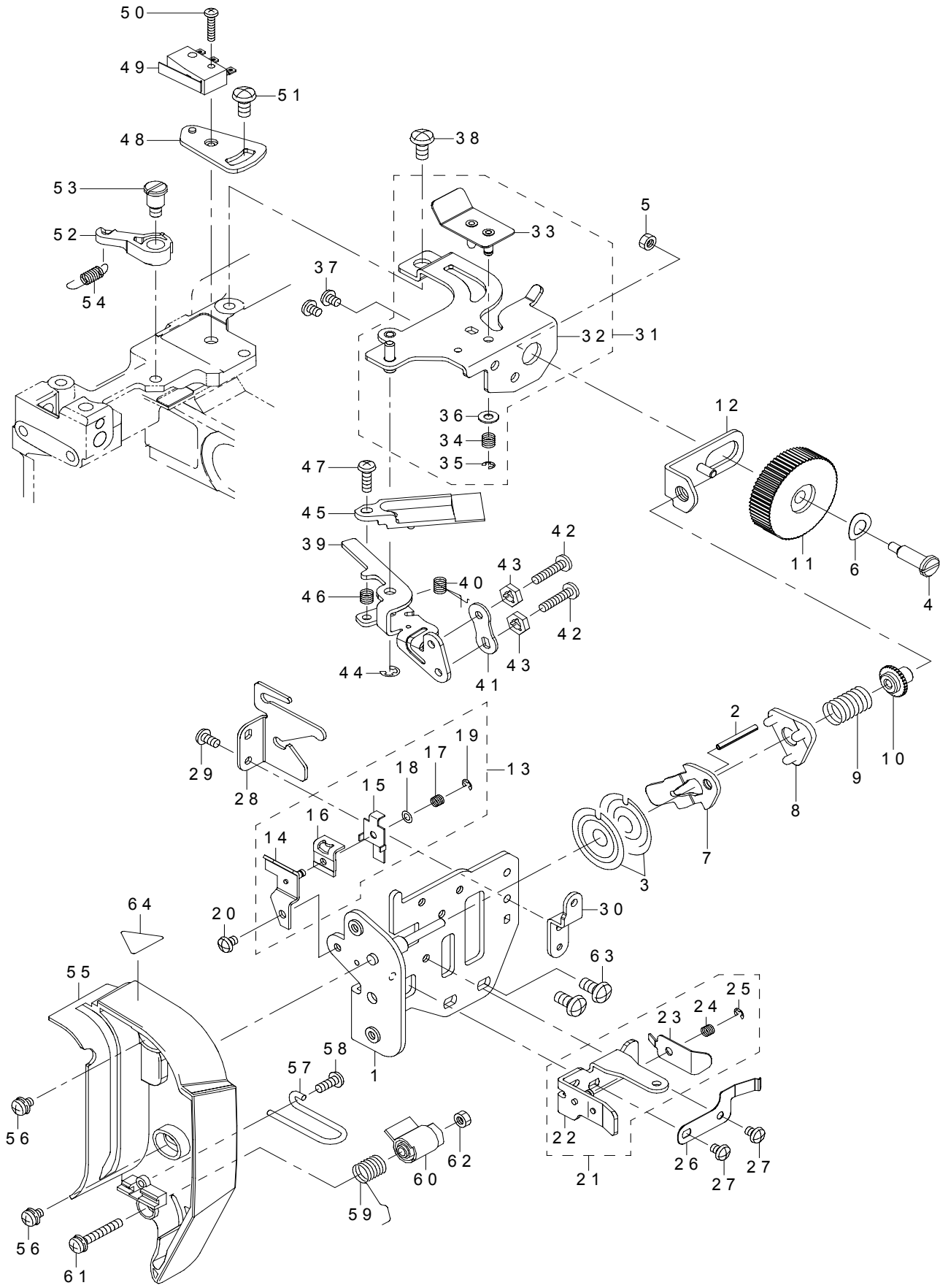
REF.NO	NOTE	PART NO	DESCRIPTION	Qty
1		400-53494	LOWER_SHAFT	1
2		A1810-E60-000	LOWER SHAFT WELT BEARING	1
3		RE-0700000-K0	E-RING 7	1
4		A1203-030-000	THRUST COLLAR	1
5		SM-8040412-TP	SET SCREW M4 L=4	2
6		400-53453	HOOK_DRIVING_GEAR	1
7		SM-8040412-TP	SET SCREW M4 L=4	2
8		400-53495	LOWER_SHAFT_SUPPORT	1
9		SL-6041692-TN	SCREW	2
10		400-55826	LOWER_SHAFT_PULLEY	1
11		SM-8040412-TP	SET SCREW M4 L=4	2
12		400-56604	HOOK_BRACKET	1
13		400-53456	HOOK SHAFT BASE	1
14		SM-5040855-SN	SCREW	2
15		400-81293	ALL_ASSY_HOOK	1
16		400-80420	BOBBIN_CASE_PROCESSING	(1)
17		400-58626	BOBBIN_CASE_MATERIAL	(1)
18		400-60608	BOBBIN_CASE_THREAD_GUIDE	(1)
19		A1840-009-000	LOWER THREAD ADJUSTING SPRING A	(1)
20		A1841-S56-000	LOWER THREAD ADJUSTING SPRING B	(1)
21		A1843-030-000	LOWER THREAD ADJUSTING SCREW	(1)
22		A1844-030-000	BOBBIN CASE THRED GUIDE SCREW	(1)
23		A1830-E80-0C0	HOOK ASM.	(1)
24		A1830-E80-0B0	HOOK ASM.	(1)
25		A1830-031-0A0	HOOK ASM.	(1)
26		A1832-008-000	HOOK NEEDLE GUARD	(1)
27		SM-5020301-SC	SCREW M2 L=3	(1)
28		A1831-031-000	HOOK BASE PLATE	(1)
29		SM-5020301-SC	SCREW M2 L=3	(1)
30		A1833-E50-000	FELIGHT MAGNET	(1)
31		A1809-031-0A0	HOOK SHAFT ASM.	(1)
32		WP-0620516-RZ	WASHER	(1)
33		WP-0620516-RZ	WASHER	1
34		SM-8040412-TP	SET SCREW M4 L=4	1
35		SM-5030655-SN	SCREW M3X0.5 L=6	2
36		SM-5040855-SN	SCREW	4
37		400-64997	ASSY_BOBBIN_CASE_STOPPER	1
38		400-53454	BOBBIN_CASE_STOPPER_PLATE	(1)
39		400-56975	BOBBIN_CASE_STOPPER_SPRING	(1)
40		400-56976	STOPPER_SPRING_SUPPORT	(1)
41		SM-5020301-SC	SCREW M2 L=3	(1)
42		A1138-776-000	SCREW	1
43		400-76508	HOOK_BRACKET_SUPPORT	1
44		400-79614	BOBBIN_CASE_ASM.	1
45		400-79424	BOBBIN_SPIN_STOP_SHEET	(1)
46		SM-5030655-SN	SCREW M3X0.5 L=6	2
47		001141000000	TRANSPARENT BOBBIN	1
48		041207008000	LOWER SHAFT WELT BEARING	1
49		021112002000	LOWER SHAFT WELT BEARING PLATE	2
50		SM-5040855-SN	SCREW	2

9. THREAD TRIMMER COMPONENTS



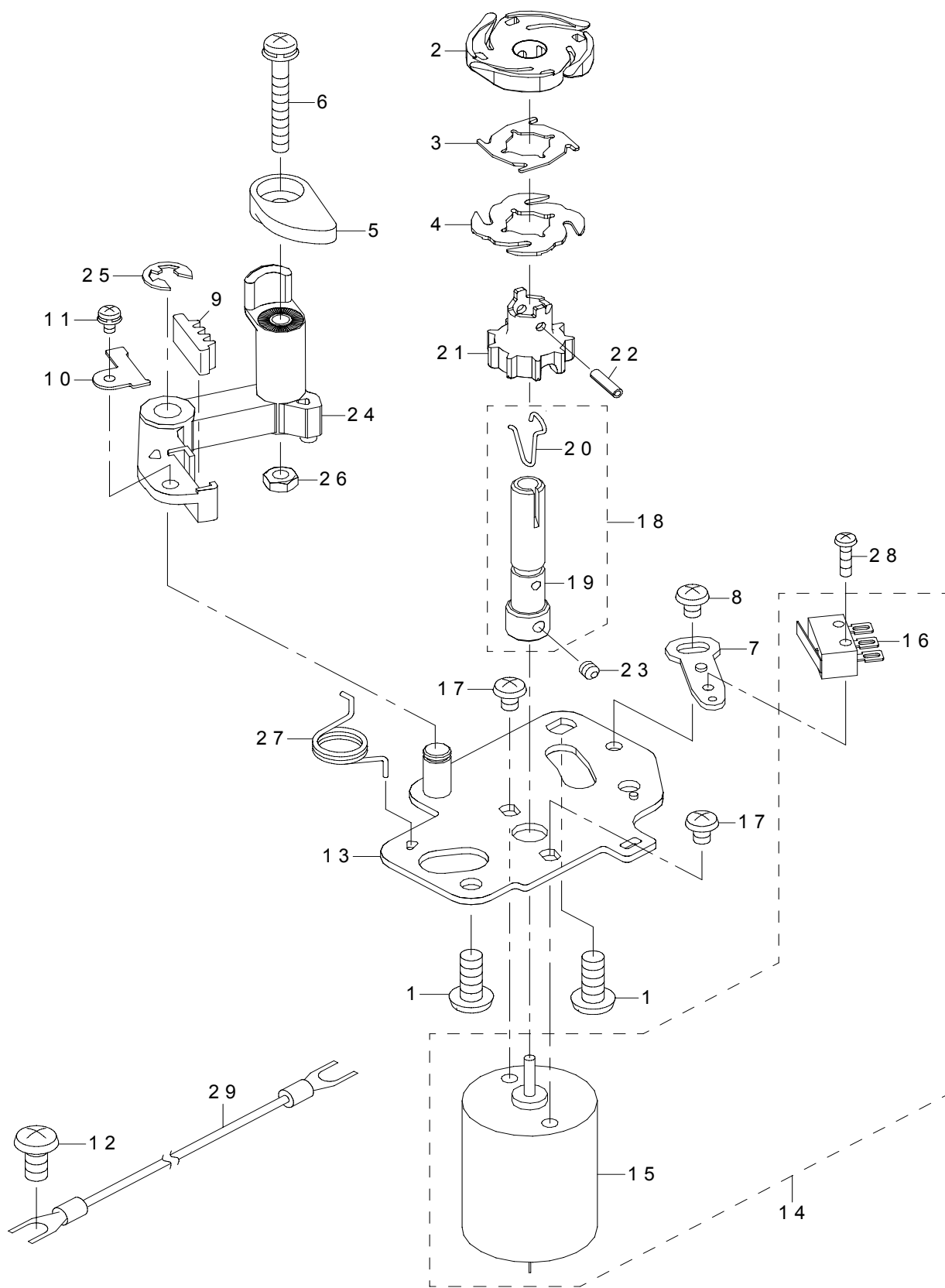
REF.NO	NOTE	PART NO	DESCRIPTION	Qty
1		400-53580	THREAD_TRIMMER_CAM	1
2		SM-8030312-TP	SCREW M3 L=3	2
3		400-65718	DRIVING_CAM HOLDER	1
4		NM-6030002-SC	NUT M3	2
5		SL-4030891-SC	SCREW M3X8	2
6		400-53581	DRIVING_CAM_BRACKET_R	1
7		SM-5030455-SN	SCREW	2
8		400-53583	CATCHER_DRIVING_CAM	1
9		400-53586	CAM_DRIVING_GEAR_L	1
10		400-55498	VF_CAM_STOP_PIN	1
11		400-53587	CAM_DRIVING_SHAFT	1
12		400-53592	TT_MECHANISM_BASE_ASSY	1
13		400-53598	CATCHER_WORKING_LINK_ASSY	1
14		RE-0400000-K0	E-RING 4	1
15		WP-0520516-RZ	WASHER	1
16		400-53602	LINK_SHAFT_ROLLER	2
17		RE-0150000-K0	SNAP RING 1.5	2
18		400-53610	CATCHER_WORKING_LINK_SPRING	1
19		400-53603	CATCHER_LINK	1
20		RE-0400000-K0	E-RING 4	1
21		400-53612	TT_DRIVING_LINK_ASSY	1
22		RE-0300000-K0	E-RING 3	1
23		WP-0410516-RZ	WASHER	1
24		400-53611	TT_DRIVING_LINK_SPRING	1
25		400-53616	THREAD_TRIMMER_LINK	1
26		RE-0300000-K0	E-RING 3	1
27		400-53608	THREAD_CATCH_GUIDE	1
28		SL-4030691-SC	SCREW M3X6	3
29		400-53604	CATCHER_ASSY	1
30		A3187-010-000	NEEDLE BAR FRAME BRUSH	1
31		RE-0400000-K0	E-RING 4	1
32		400-53624	TT_CUTTER_BASE	1
33		SL-4030691-SC	SCREW M3X6	1
34		400-53621	TT_CUTTER_COVER	1
35		SM-5030655-SN	SCREW M3X0.5 L=6	1
36		400-53617	TT_CATCHER_ASSY	1
37		A3711-010-000-A	TOP THREADING CUTTER	1
38		400-53609	THREAD_KEEPING_PILE	1
39		400-78681	UT_HOOK_ASSY	1
40		RE-0200000-K0	E-RING	2
41		WP-0310516-RZ	WASHER 3.1X5.4X0.5	2
42		SM-5040855-SN	SCREW	2
43		400-53588	THREAD_TRIMMER_STM_BASE_ASSY	1
44		400-56556	ASSY_TT_STM	1
45		SM-5030455-SN	SCREW	2
46		400-67261	TT_STM_GEAR	1
47		SM-8030312-TP	SCREW M3 L=3	2
48		400-67671	CAM_DRIVING_GEAR_R HOLDER	1
49		SL-4030691-SC	SCREW M3X6	2
50		400-53585	CAM_DRIVING_GEAR_R	1
51		SM-8030312-TP	SCREW M3 L=3	2
52		400-53584	INTERMEDIATE_GEAR	1
53		RE-0400000-K0	E-RING 4	1
54		400-56564	ASSY_TT_STM_ORG_CIRCUIT_BOARD	1
55		SL-5030501-SN	SCREW M3 L=5	1
56		400-53641	TR_PLATE_LOWER_ASSY	1
57		RE-0400000-K0	E-RING 4	1
58		WP-0520516-RZ	WASHER	1
59		SM-5040855-SN	SCREW	2
60		400-53640	TR_LINK_LOWER	1
61		A2444-500-000	NUT	1
62		NM-6860002-MZ	NUT M2.6	1
63		400-53637	TR_LINK_PLATE_ASSY	1
64		400-53632	TR_CONNECT_SHAFT	1
65		400-53636	TENSION_RELEASE_SPRING	1
66		400-53628	TR_LINK_UPPER	1
67		RE-0400000-K0	E-RING 4	1
68		RE-0500000-K0	E-RING	2
69		400-55796	WIRE_GUIDE_A	1
70		SM-5040855-SN	SCREW	2
71		400-78686	UT_HOOK_LEVER_ASSY	1
72		RE-0300000-K0	E-RING 3	1
73		400-78685	UT_HOOK_SPRING	1
74		400-78690	UT_HOOK_LEVER_SPRING	1

10. THREAD TENSION COMPONENTS



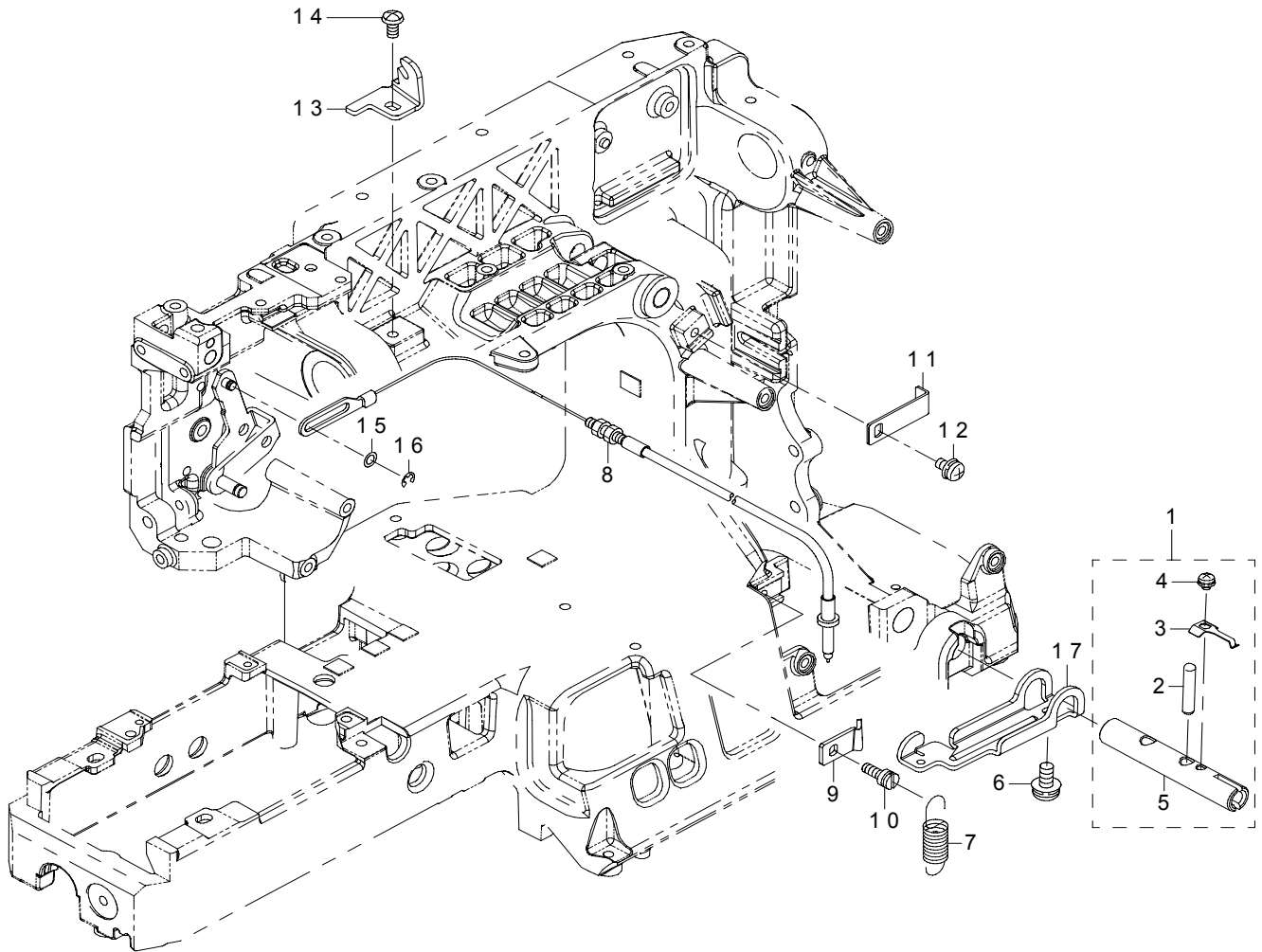
REF.NO	NOTE	PART NO	DESCRIPTION	Qty
1		400-53520	FACE_PLATE_ASSY	1
2		PS-0200182-KP	SPRING PIN TYPE W 2X18	1
3		A3910-634-000-B	TENSION DISC	2
4		400-60528	TT_DIAL_FOREIGN	1
5		NM-6030002-SC	NUT M3	1
6		A2110-700-000	SPRING WASHER	1
7		400-53525	DISC_RELEASE_PLATE	1
8		400-55371	DISC HOLDER	1
9		400-55419	THREAD_TENSION_SPRING	1
10		400-53526	THREAD_TENSION_ADJUST_NUT	1
11		400-60528	TT_DIAL_FOREIGN	1
12		400-53532	THREAD_TENSION_ADJUST_PLATE_ASM.	1
13		A3173-E50-0B0	PRETENSION (MAS ASM.)	1
14		A3173-E50-0A0	PRETENSION DISH ASM. LEFT	(1)
15		A3171-T50-000	PRETENSION LEVER	(1)
16		A3172-T50-000	PRETENSION DISC	(1)
17		A3175-T70-000	PRETENSION SPRING	(1)
18		WP-0260116-RZ	SPRING WASHER	(1)
19		RE-0200000-K0	E-RING	(1)
20		SM-5030455-SN	SCREW	1
21		400-64573	ASSY_SUB_TENSION_BASE	1
22		400-62044	SUB_TENSION_BASE_ASSY	(1)
23		400-62047	SUB_TENSION	(1)
24		400-62048	SUB_TENSION_SPRING	(1)
25		RE-0200000-K0	E-RING	(1)
26		400-53528	THREAD_TENSION_DIAL_CLICK	1
27		SM-5030455-SN	SCREW	2
28		400-57974	ARM_THREAD_GUIDE	1
29		SM-5030655-SN	SCREW M3X0.5 L=6	1
30		400-58407	THREAD_TENSION_COVER_BRACKET	1
31		400-64704	ASSY_BASE_TENSION_BASE	1
32		400-55383	BASE_TENSION_BASE_ASSY	(1)
33		400-55384	BASE_TENSION_ASSY	(1)
34		400-55420	BASE_TENSION_SPRING	(1)
35		RE-0200000-K0	E-RING	(1)
36		WP-0320501-SC	WASHER M3	(1)
37		SM-5030455-SN	SCREW	2
38		SM-5040855-SN	SCREW	1
39		400-55561	RELEASE_ARM	1
40		400-55400	RELEASE_ARM_SPRING	1
41		400-70286	RELEASE_ARM_SPACER	1
42		SM-4031601-SC	SCREW M3 L=16	2
43		174803004000	NUT	2
44		RE-0300000-K0	E-RING 3	1
45		400-66195	BASE_TENSION_LIFTER	1
46		400-66193	BASE_TENSION_LIFTER_SPRING	1
47		SM-5031001-SE	SCREW M3 L=10	1
48		400-55385	PRESSER_LIFTER_SW_BASE	1
49		400-56544	ASSY OST SW	1
50		SM-4831001-SF	SCREW M2.3 L=10	1
51		SM-5040855-SN	SCREW	1
52		400-55396	TENSION_RELEASE_ARM	1
53		400-55397	TR_ARM_LOCATE_SCREW	1
54		400-55398	TR_ARM_SPRING	1
55		400-59212	FACE_PLATE_COVER	1
56		SL-4030591-SC	SCREW M3X5	2
57		400-55376	TAKE_UP_SPRING_GUIDE	1
58		ST-5030851-SN	SCREW M5X8	1
59		400-55377	TAKE_UP_SPRING	1
60		400-55378	TAKE_UP_SPRING HOLDER	1
61		SL-4032081-SC	SCREW M3 L=20	1
62		NM-6030002-SC	NUT M3	1
63		SM-5040855-SN	SCREW	2
64		CM-3002000-01	ATTENTION SEAL	1

11. BOBBIN WINDER COMPONENTS



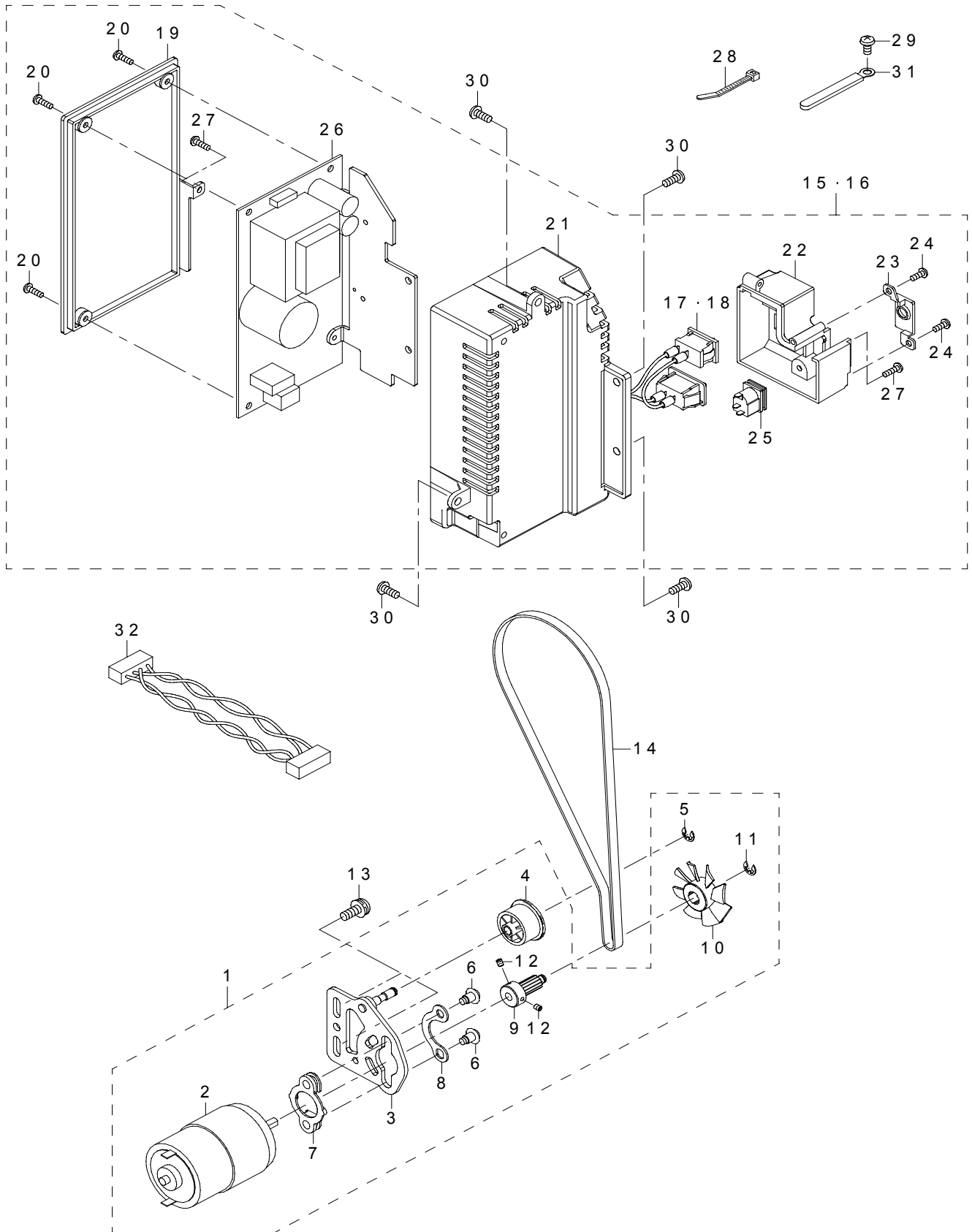
REF.NO	NOTE	PART NO	DESCRIPTION	Qty
1		ST-5041051-SR	TAPPING SCREW D=4 L=10	2
2		400-53671	BOBBIN_RECEIVER	1
3		400-53672	BOBBIN_WINDER_BLADE	1
4		400-53673	BW_BLADE HOLDER	1
5		400-53677	BW_ADJUST_BODY	1
6		SL-4032591-SC	SCREW M3X25	1
7		400-75652	SW_BASE	1
8		SM-5030455-SN	SCREW	1
9		400-76145	STOPPER_RUBBER	1
10		400-76146	RUBBER_FIXING_PLATE	1
11		SL-4020491-SC	SCREW M2 L=4	1
12		SM-5040855-SN	SCREW	1
13		400-53674	BOBBIN_WINDER_BASE_ASSY	1
14		400-56559	ASSY_WIND_MOTOR	1
15		400-65720	WIND_MOTOR	(1)
16		HA-0042000-00	MICRO SWITCH	(1)
17		SM-5030455-SN	SCREW	2
18		400-70287	ASSY_BOBBIN_WINDER_SHAFT	1
19		400-53670	BOBBIN_WINDER_SHAFT	(1)
20		400-84023	BOBBIN_STOPPER_SPRING	(1)
21		400-53680	STOPPER_GEAR	1
22		PS-0200082-KP	STOPPER_GEAR_PIN	1
23		SM-8030312-TP	SCREW M3 L=3	1
24		400-53678	BW_ADJUST_BASE	1
25		RE-0400000-K0	E-RING 4	1
26		NM-6030002-SC	NUT M3	1
27		400-61796	BW_SPRING	1
28		SM-5020855-SN	SCREW M2 L=8	1
29		400-66041	ASSY_WIND_CODE	1

12. KNEE LIFTER COMPONENTS



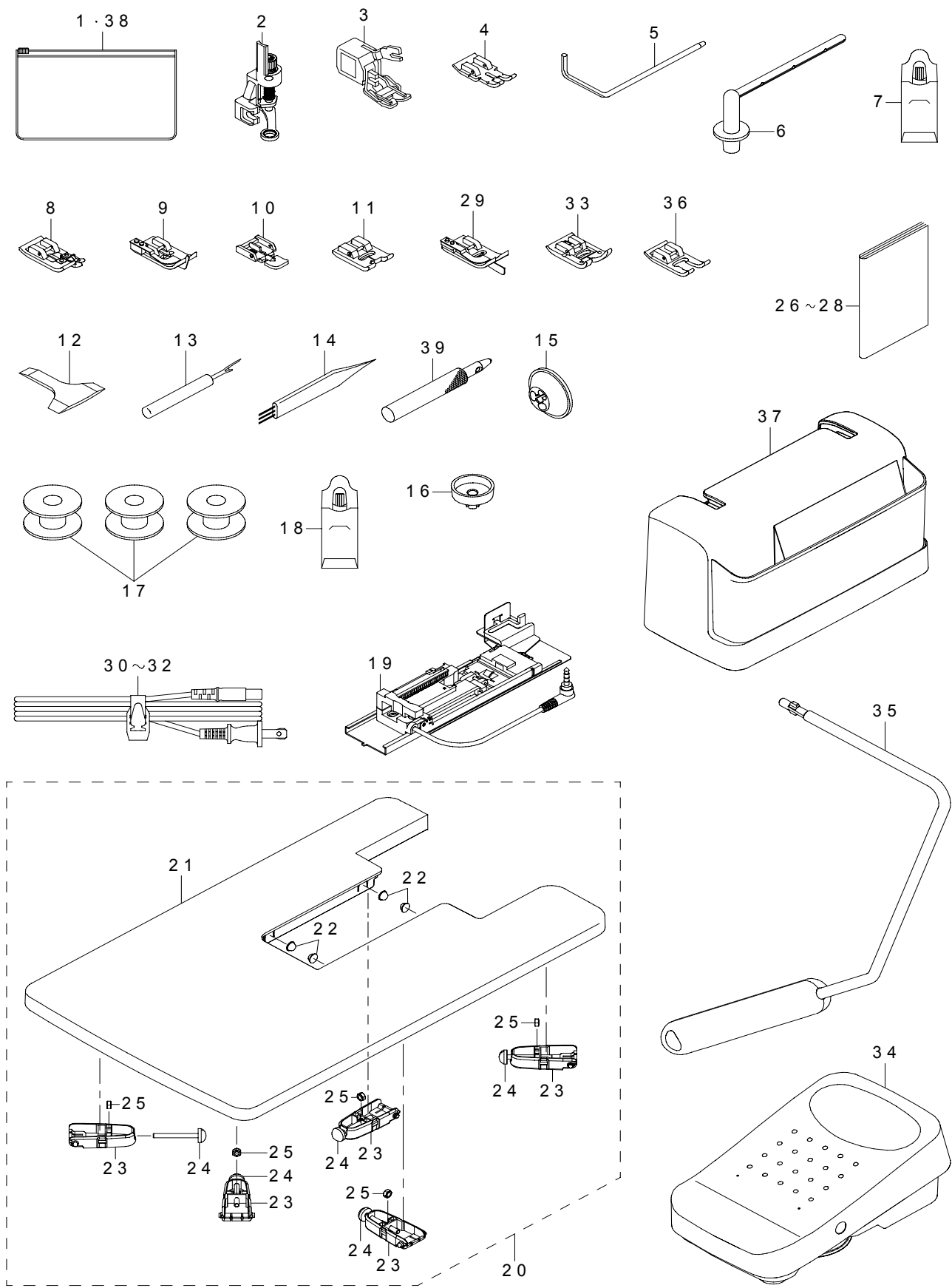
REF.NO	NOTE	PART NO	DESCRIPTION	Qty
1		400-84331	KNEE LIFTER SHAFT ASM.	1
2		400-84908	STOPPER PIN	(1)
3		400-53426	KL_CLICK_SPRING	(1)
4		SL-4030491-SF	SCREW	(1)
5		400-53425	KNEE_LIFTER_CONNECT_SHAFT	(1)
6		SL-4051291-SF	SCREW M5 L=12	1
7		400-53427	KNEE_LIFTER_SPRING	1
8		400-53446	KNEE_LIFTER_WIRE_ASSY	1
9		400-53428	WIRE_TUBE HOLDER_L	1
10		400-53429	KL_SPRING_STUD	1
11		400-64567	WIRE_GUIDE_B	1
12		SL-4040891-SC	SCREW M4 L=8	1
13		400-55795	WIRE_TUBE HOLDER_U	1
14		SM-5040855-SN	SCREW	1
15		WP-0410516-RZ	WASHER	1
16		RE-0300000-K0	E-RING 3	1
17		400-53424	KNEE_LIFTER_LEVER	1

13. POWER SUPPLY & MAIN MOTOR COMPONENTS



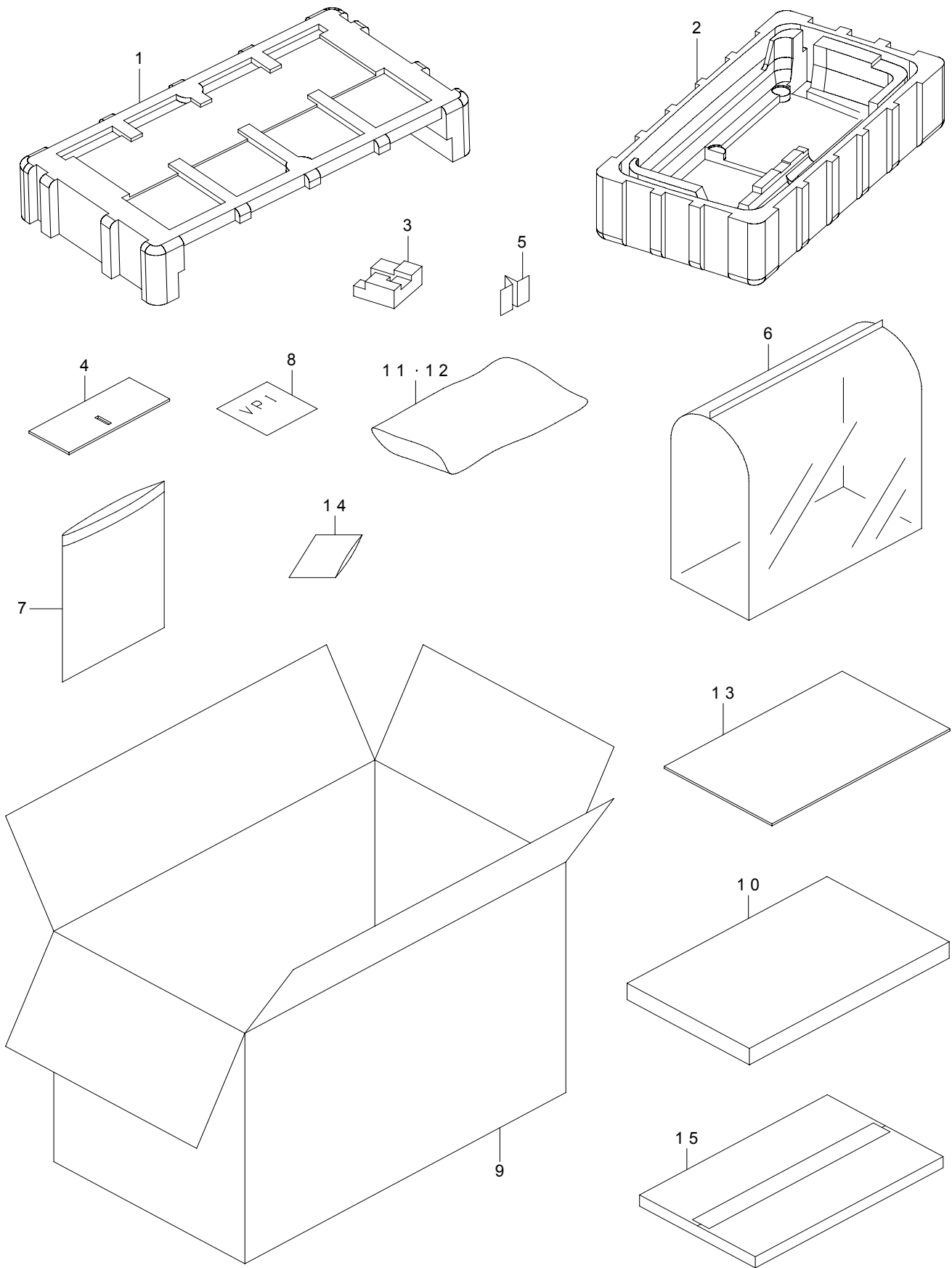
REF.NO	NOTE	PART NO	DESCRIPTION	Qty
1		400-78957	ALL_ASSY_MAIN_MOTOR	1
2		400-56546	ASSY_MAIN_MOTOR	(1)
3		400-57951	MOTOR_BRACKET_ASSY	(1)
4		400-56861	IDLER	(1)
5		RE-0400000-K0	E-RING 4	(1)
6		400-57922	RUBBER_WASHER_SCREW	(2)
7		400-62143	MOTOR_SPACER	(1)
8		400-66024	SPACER_PLATE	(1)
9		400-55830	MOTOR_SHAFT_PULLEY	(1)
10		400-53472	MOTOR_SHAFT_PULLEY_FLANGE	(1)
11		RE-0400000-K0	E-RING 4	(1)
12		SM-8030412-TP	SCREW	(2)
13		SL-4051485-SE	BASE PLATE SETSCREW	2
14		400-57960	MOTOR_TIMING_BELT	1
15	#01	400-79000	ALL_ASSY_POWER_SUPPLY	1
16	#02	400-78960	ALL_ASSY_POWER_SUPPLY_CE	1
17	#01	400-56541	ASSY_POWER_SW_UL	(1)
18	#02	400-56542	ASSY_POWER_SW_EU	(1)
19		400-53476	SWITCHING_POWER_SOURCE_COVER_L	(1)
20		ST-5031051-SN	TAPPING SCREW	(3)
21		400-53475	SWITCHING_POWER_SOURCE_COVER	(1)
22		400-53474	INLET_COVER	(1)
23		400-58553	CONTROLLER_JACK_COVER	(1)
24		ST-5030851-SN	SCREW M5X8	(2)
25		400-56551	ASSY_CONT_SOCKET	(1)
26		400-56543	ASSY_POWER_SUPPLY	(1)
27		ST-5031051-SN	TAPPING SCREW	(2)
28		A4078-550-00B	BAND	9
29		SM-5040855-SN	SCREW	2
30		SM-5041055-SN	SCREW M4X10	4
31		A3811-550-000	CORD HOLDER	2
32		400-56552	ASSY_POWER_SUPPLY_RELAY	1
		NOTE	#01....FOR UL #02....FOR CE	

14. ACCESSORIE PARTS COMPONENTS



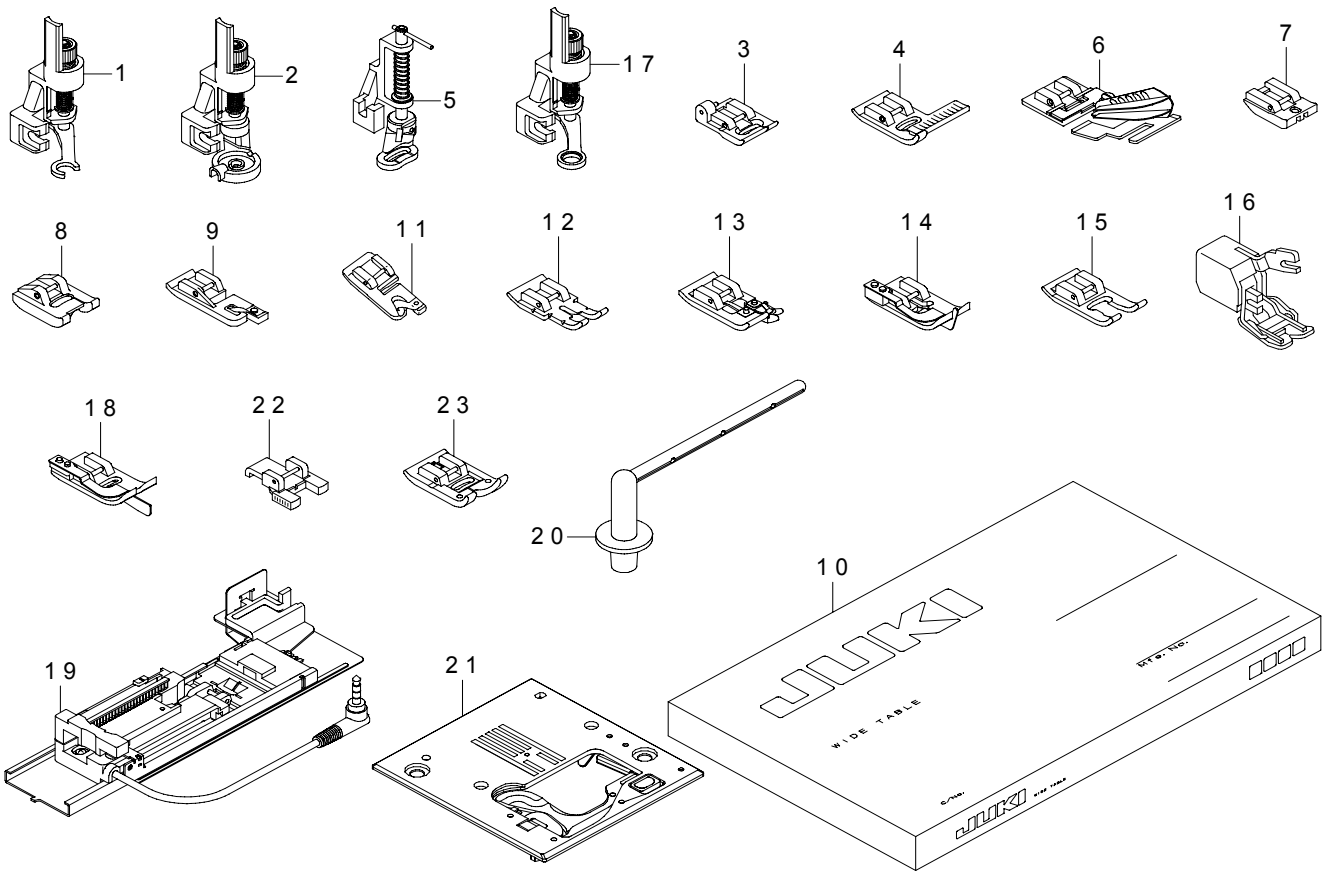
REF.NO	NOTE	PART NO	DESCRIPTION	Qty
1	#01	A9101-550-000	ACCESSORY BAG	1
2	#06	400-80964	BP_QUILTING_FOOT	1
3	#06	400-80963	BP_EVEN_FEED_FOOT	1
4	#06	400-80959	BP_PACHWORK_FOOT	1
5	#06	A9833-550-0A0	BP_RULER	1
6	#06	400-80967	BP_AUXILIARY_SPOOL_PIN	1
7	#06	400-83061	TWIN_NEEDLE_SET	1
8		400-80960	BP_OVERCASTING_FOOT	1
9		400-80961	BP_BLINDSTITCH_FOOT	1
10		A9823-010-0A0	BP_ZIPPER_FOOT	1
11		A9828-008-0A0	BP_MANUAL_BOTTONHOLE_FOOT	1
12		A9110-700-000	SCREWDRIVER	1
13		A9131-990-000	SEAM RIPPER	1
14		A9137-956-000	BRUSH	1
15		A1150-980-000	SPOOL CAP	1
16		A1145-01S-Z00	SMALL SPOOL CAP	1
17		001141000000	BOBBIN	3
18		400-75804	NEEDLE_SET	1
19		400-80966	BP_BH_PRESSER_FOOT	1
20	#02	810-04558	OP_WIDE_TABLE_SET_F	1
21		400-59204	WIDE_TABLE	(1)
22		A9503-E50-000	TABLE_NON-SLIP	(4)
23		400-70174	WIDE_TABLE_LEG	(5)
24		A9505-E50-000	SCREW	(5)
25		NM-6050002-SS	NUT M5	(5)
26		400-79758	INSTRUCTION_MANUAL_A(GB/ES/I/F)	1
27		400-79759	INSTRUCTION_MANUAL_B(GB/D/NL/RU)	1
28		400-85469	INSTRUCTION_MANUAL_C(GB)	1
29	#02	400-80965	BP_EDGE_STITCH_FOOT	1
30	#03	A4421-980-0AF	ELECTRIC POWER CORD	1
31	#04	A4421-01E-ZA0	ELECTRIC POWER CORD ASM.	1
32	#05	400-71949	POWER_CORD_SET_(BS)_(ASM.)	1
33	#02	400-79312	BP_DECORATIVE_STITCH_FOOT	1
34		400-70258	FOOT_CONTROLLER_(FOR_ABROAD)_(ASM.)	1
35	#06	400-70255	ASSY_KNEE_LIFTER	1
36	#02	400-80962	BP_OPEN_TOE_FOOT	1
37		400-79514	ALL_ASSY_HARD_CASE	1
38	#02	A9121-503-000	ACCESSORY BAG	1
39	#02	A9103-880-000	EYELET PUNCH	1
		NOTE	#01....FOR HZL-F400 #02....FOR HZL-F600 #03....FOR CE #04....FOR UL #05....FOR BS #06....FOR HZL-F600,HZL-F400	

15. PACKING MATERIAL COMPONENTS



REF.NO	NOTE	PART NO	DESCRIPTION	Qty
1		400-78460	TOP_CUSHIONING	1
2		400-78461	BOTTOM_CUSHIONING	1
3		400-78462	TP_CUSHIONING	1
4		400-75778	ACCESSORY_TRAY_SPONGE	1
5		400-78479	THREAD_WAY_PLATE_PAPER	1
6		J0231-008-A00	MACHINE COVER	2
7		A9181-008-000	VINYL	1
8		J0233-500-A00	VPI PAPER	1
9		400-71987	OUTER_PACKING_CASE_F	1
10		400-69617	WT_PACKING_CASE	1
11	#01	A9513-E50-000	VINYL BAG	1
12	#02	A5101-008-X00	VINYL SHEET	1
13	#01	400-84369	WIDE TABLE PAD	1
14		J0231-082-A00	VINYL SHEEY	1
15	#03	400-79540	WIDE_TABLE_SPACER	1
		NOTE	#01....FOR HZL-F600	
			#02....FOR HZL-F600,HZL-F400	
			#03....FOR HZL-F400,HZL-F300	

16. OPTIONAL ACCESSORY PARTS COMPONENTS



REF.NO	NOTE	PART NO	DESCRIPTION	Qty
1		400-80949	BP_OPEN_QUILTING_FOOT	1
2		400-80950	BP_FREE_MOTION_CORDING_FOOT	1
3		400-80951	BP_APPLIQUE_FOOT	1
4		400-80952	BP_STITCH_GUIDE_FOOT	1
5		400-80953	BP_CLEAR_QUILTING_FOOT	1
6		400-80654	FOLDING_PLATE_A_RIGHT	1
7		400-80955	BP_INVISIBLE_ZIPPER_FOOT	1
8		400-80956	BP_PEARL_SEWING_FOOT	1
9		400-80957	BP_ZIG_ZAG_ROLLED_HEMMING_FOOT	1
10		810-04558	OP_WIDE_TABLE_SET_F	1
11		400-80958	BP_ROLLED_HEMMING_FOOT	1
12		400-80959	BP_PACHWÖRK_FOOT	1
13		400-80960	BP_OVERCASTING_FOOT	1
14		400-80961	BP_BLINDSTITCH_FOOT	1
15		400-80962	BP_OPEN_TOE_FOOT	1
16		400-80963	BP_EVEN_FEED_FOOT	1
17		400-80964	BP_QUILTING_FOOT	1
18		400-80965	BP_EDGE_STITCH_FOOT	1
19		400-80966	BP_BH_PRESSER_FOOT	1
20		400-80967	BP_AUXILIARY_SPOOL_PIN	1
21		400-80968	BP_STRAIGHT_STITCH_THROAT_PLATE	1
22		400-80969	BP_BUTTON_SEWING_FOOT	1
23		400-79312	BLISTER_BAG_ASM(DEC_STTICH_FOOT)	1

JUKI[®]

JUKI CORPORATION

HOUSEHOLD SEWING MACHINE DIVISION
8-2-1, KOKURYO-CHO,
CHOFU-SHI, TOKYO 182-8655, JAPAN
PHONE : (81)3-3480-2458
FAX : (81)3-3480-5037

Copyright©2009 JUKI CORPORATION.
All rights reserved throughout the world.

2009/04